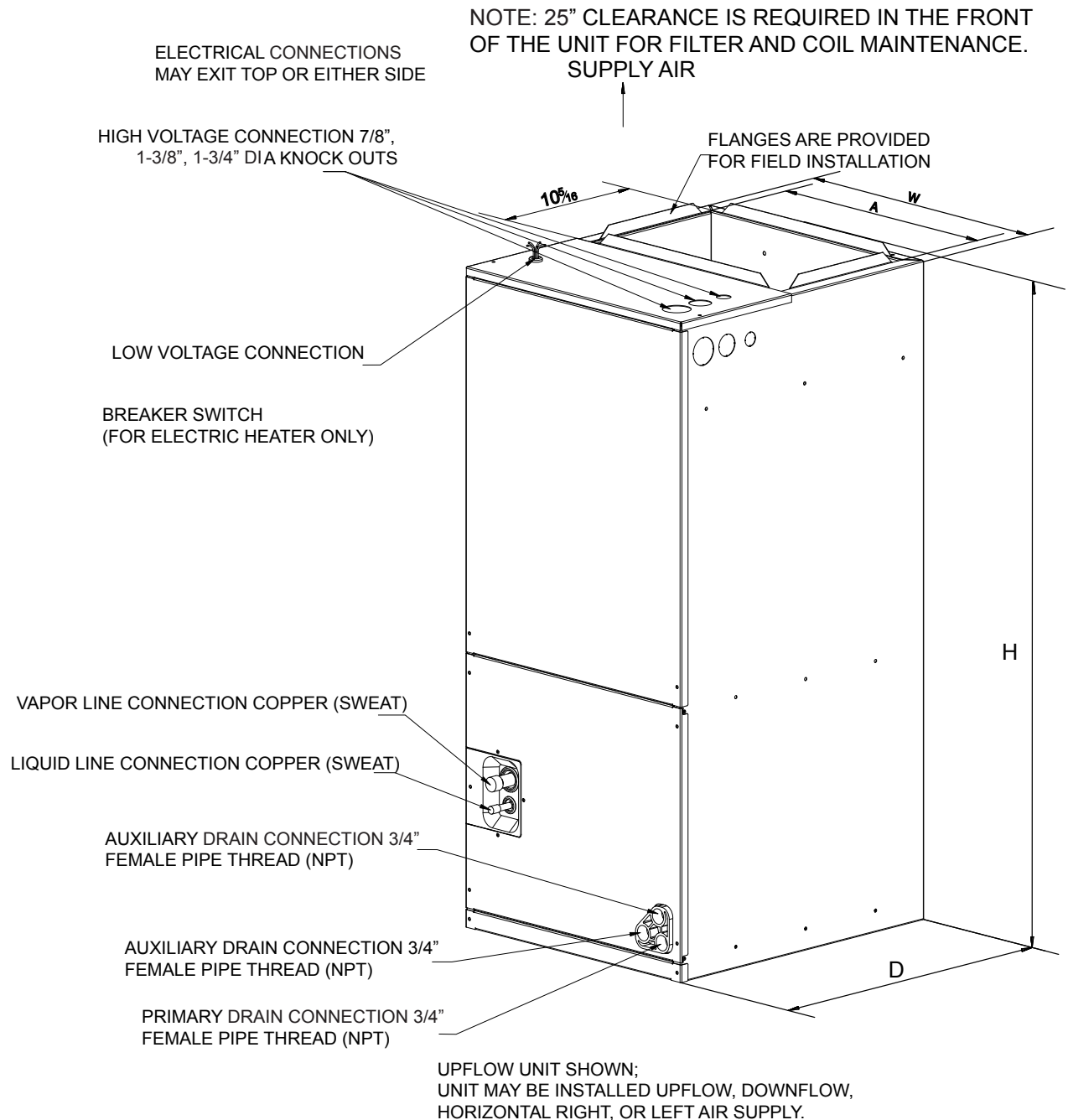


Submittal

AMC24S1A - 2 Ton Constant Torque Air Handler



Note: All dimensions are in mm/inches.

AMC24S1A	H	W	D	A
	1050 (41-3/8)	460 (18-1/8)	520 (20-1/2)	406 (16)

PRODUCT SPECIFICATIONS:

MODEL	AMC24S1A
RATED VOLTS/PH/HZ.	208-230/1/60
RATINGS	See O.D. Specifications
INDOOR COIL — Type	Plate Fin
Rows — F.P.I.	4 - 17
Face Area (sq. ft.)	3
Tube Size (in.)	9/32
Refrigerant Control	Orifice
Drain Conn. Size (in.)	3/4 NPT
DUCT CONNECTIONS	See Outline Drawing
INDOOR FAN — Type	Centrifugal
Diameter-Width (In.)	10-5/8 X 8-1/8
No. Used	1
Drive - No. Speeds	Direct - 5
CFM vs. in. w.g.	See Fan Performance Table
No. Motors — H.P.	1 - 1/3
Motor Speed R.P.M.	1050
Volts/Ph/Hz	208-230/1/60
F.L. Amps	2.5
Filter Furnished	No
Type Recommended	Throwaway
No.-Size-Thickness	1 - 16 X 20 - 1 in.
REFRIGERANT	R-410A
Ref. Line Connections	Brazed
Coupling or Conn. Size — in. Gas	3/4
Coupling or Conn. Size — in. Liq.	3/8
DIMENSIONS	H x W x D
Crated (In.)	42x 20-3/4 x 24-3/16
Uncrated	41-3/8 x 18-1/8 x 20-1/2
Shipping (Lbs.) / Net (Lbs.)	114/101



Submittal AMC24S1A

FEATURES:

- Available for cooling and heat pump applications
- Multi-speed ECM blower motor
- Factory-sealed cabinet certified to achieve 2% or less leakage rate at 1.0 inch water column
- Multi-position Installation
- Horizontal and vertical condensate drain pans standard
- Blower and coil slide out for ease of maintenance
- Field Installed heater kits are optional: 5/7.5/10/15/20kW
- AHRI Listed & ETL Certified



Heater Kit Model Used	Electric Heat (kW)	Min. Circuit Ampacity		Max. Fuse or Breaker (HACR) Ampacity		Minimum Heating Blower Speed	
		230V	208V	230V	208V	Without HP	With HP
EHK-05A(UL)	5	29.4	25.9	30	30	Low	Low
EHK-08A(UL)	7.5	42.4	37.2	45	40	Low	Low
EHK-10A(UL)	10	55.4	48.5	60	50	Low	Low

Motor Speed		AIR FLOW PERFORMANCE								
		<i>Factory set at Medium High Speed</i>								
		External Static Pressure-Inches W.C. (kPa)								
		0(0)	0.1(.02)	0.2(.05)	0.3(.07)	0.4(.10)	0.5(.12)	0.6(.15)	0.7(.17)	0.8(.20)
1	CFM	590	544	511	447	404	345	311	273	239
2	CFM	681	633	591	535	490	446	388	354	313
3	CFM	788	736	687	648	597	558	511	473	429
4	CFM	883	842	796	758	717	681	642	599	524
5	CFM	1103	1073	1036	998	967	934	896	855	814