



SE Series

## Wall Mount Air Handler

PSC Motor

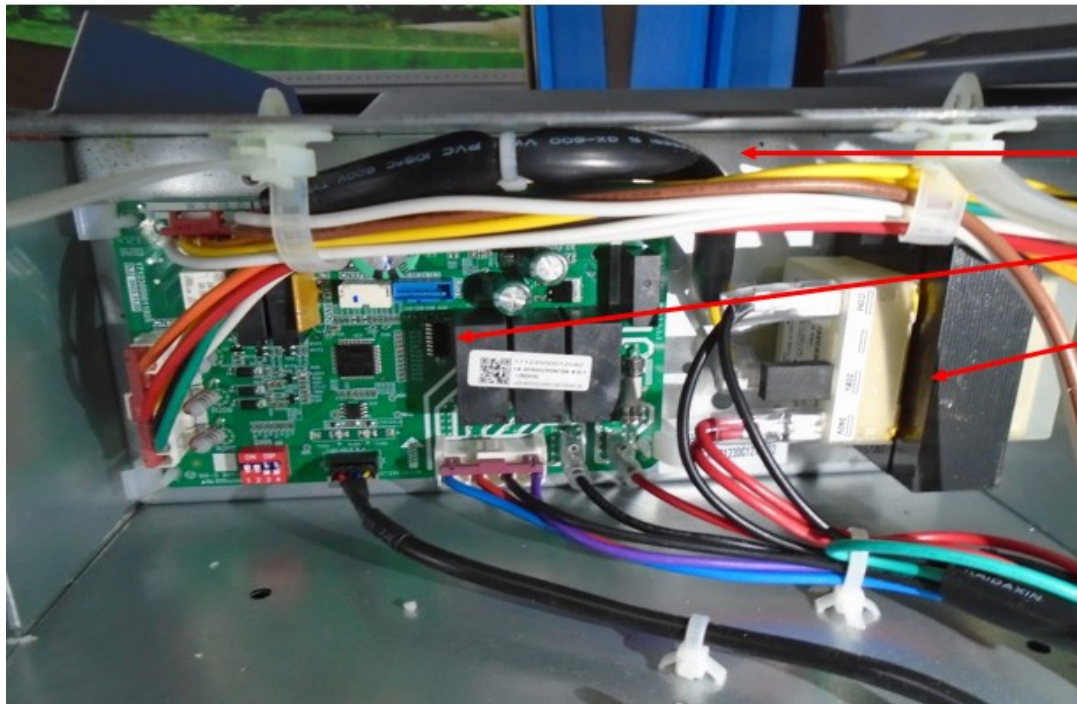
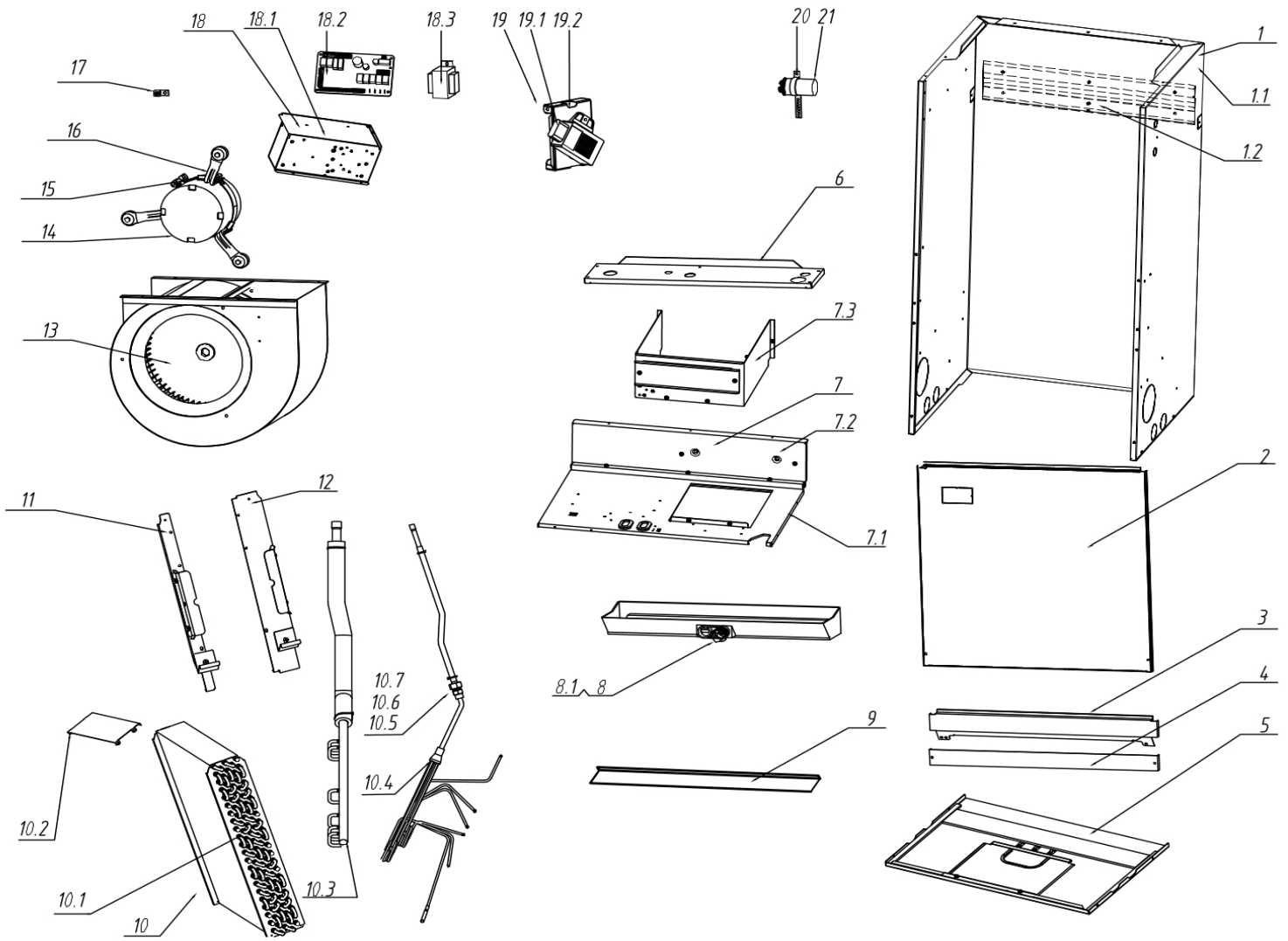
SWP24S1A

Parts List



**SWP24S1A Parts List**

**Wall Mount Air Handler - PSC Motor**



**18**

**18.1**

**18.2**

**18.3**

EX_ID	Spare Parts Code	Part Name(EN)	Qty.
1	12223000002377	Chassis Assembly	1
1.1	12223000002363	Chassis components	1
1.2	12223000006387	Support Bar	2
2	12223000010536	Side Panel Assembly	1
3	12223000010529	Evaporator Connecting Plate Assembly	1
4	12223000002181	Support Bar Assembly	1
5	12223000017738	Side panel assembly	1
6	12223000017737	Side panel assembly	1
7	12223000002126	Air Duct Assembly	1
7.1	12223000002333	Wind wheel fixed plate	1
7.2	12223000001960	Air duct damper	1
7.3	12223000002111	Blockoff Plate	1
7.4	12223000001965	Duct under the baffle	1
8	12123000001080	Drain Pan Assembly	1
8.1	15500402000023	Seal Plug	1
9	12223000002118	Drain Pan	1
10	15823000007283	Evaporator assembly	1
10.1	15823000A03997	Evaporator	1
10.2	12223000005759	Evaporator Baffler	1
10.3	15223000000126	Evaporator output pipe assembly	1
10.4	15223000A00001	Distributary ass'y	1
10.5	15423000005999	Evaporator input pipe assembly	1
10.6	12100901000010	Seal Ring	1
10.7	15500220000030	Valve Plug	1
11	12223000010535	Evaporator Connecting Plate Assembly	1
12	12223000010527	Evaporator Connecting Plate Assembly	1
13	12200101000021	Wind Turbine Parts	1
14	11002012044885	Single Phase Asynchronous Motor	1
15	12223000001992	Motor Holder	1
16	12223000001934	Motor Holder Assembly	3
17	11201708000008	Terminal	1
18	17223000010925	E-part box ass'y	1
18.1	12223000014910	Electrical Installation plate	1
18.2	17123000012042	Indoor unit main control board	1
18.3	11203103002859	Linear Transformer	1
19	17223000010923	Refrigerant Sensor	1
19.1	12223000017718	Fixing board	1
19.2	11201003000424	Gas sensor	1
20	17400103000152	Compressor Capacitor	1
21	12223000002177	Clamp	1

Due to ongoing product improvements, specifications and dimensions are subject to change and correction without notice or incurring obligations. Determining the application and suitability for use of any product is the responsibility of the installer. Additionally, the installer is responsible for verifying dimensional data on the actual product prior to beginning any installation preparations.

Incentive and rebate programs have precise requirements as to product performance and certification. All products meet applicable regulations in effect on date of manufacture; however, certifications are not necessarily granted for the life of a product. Therefore, it is the responsibility of the applicant to determine whether a specific model qualifies for these incentive/rebate programs.



1900 Wellworth Avenue • Jackson, MI 49203 • 517-787-2100