

---

*Comfort-Cire*® **Century**®

SE Series

---

# Two Stage Multi-Position Gas Furnace 96%

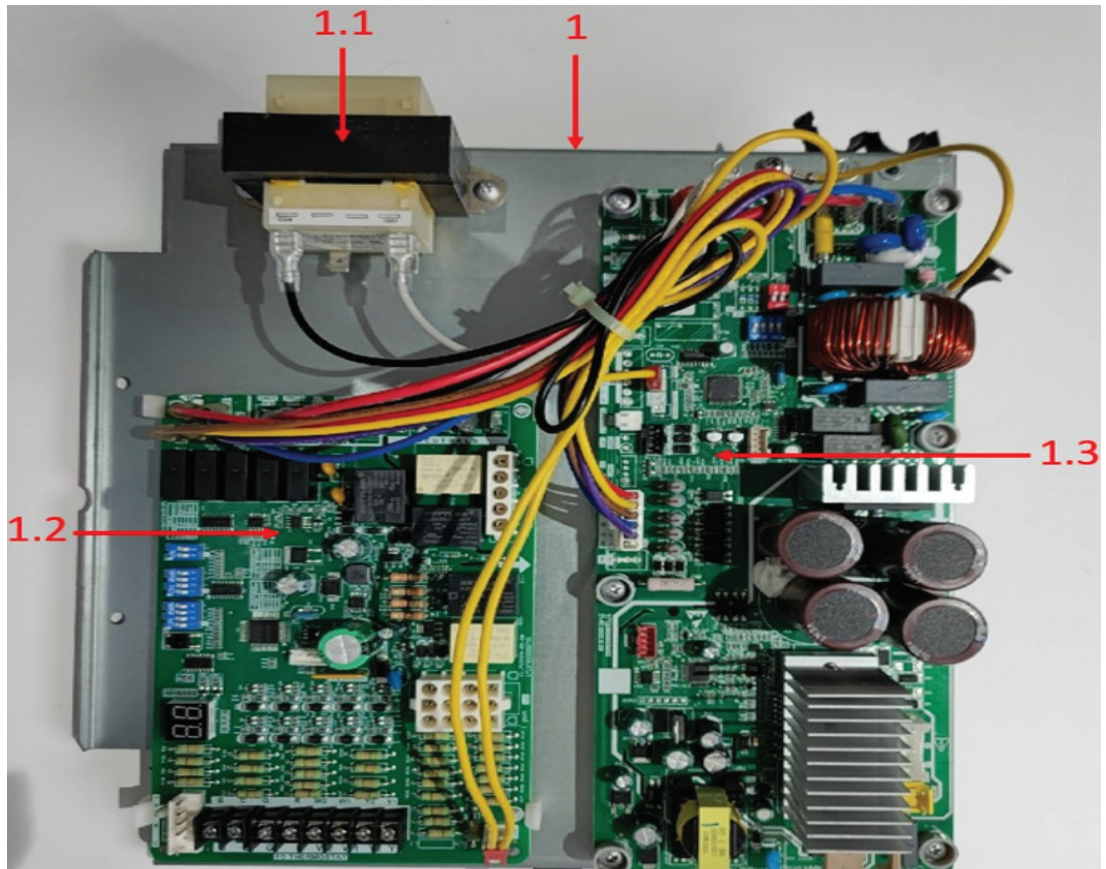
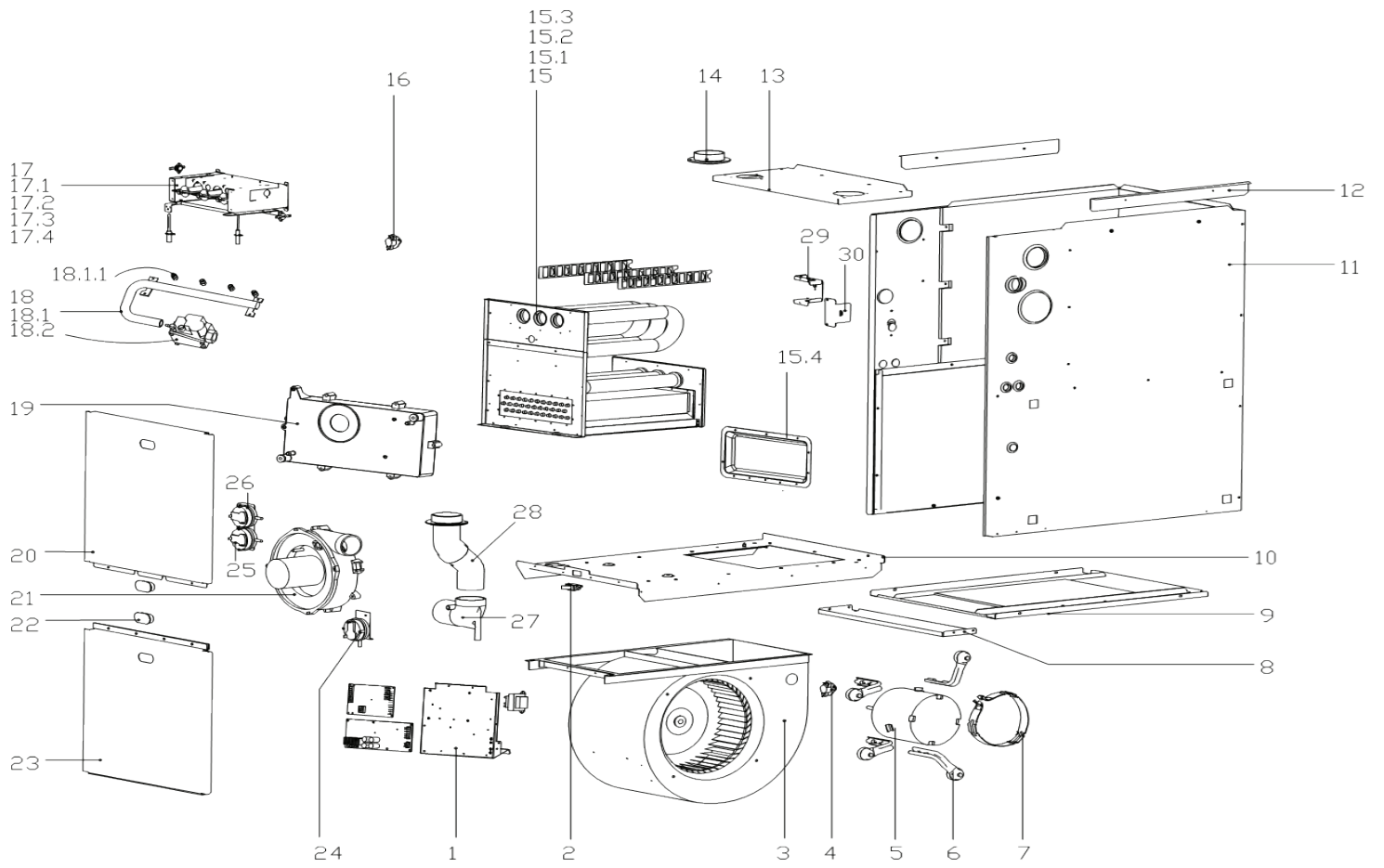
SGF96T060B3S1A

Parts List



SGF96T060B3S1A Parts List

Two Stage Multi-Position Gas Furnace



EX_ID	Spare Parts Code	Part Name(EN)	Qty.
1	17227600002143	E-part box assembly	1
1.1	11203103000197	Linear Transformer	1
1.2	17127600001869	Gas furnace, Main control board assembly	1
1.3	17127600001868	Gas furnace, Main control board assembly	1
2	17427600001148	Door Switch	1
3	12200102000010	Centrifugal Fan	1
4	17400513000874	Thermostat	2
5	11002015016398	Brushless DC Motor	1
6	12227600000245	Motor Holder Assembly	4
7	12223000001993	Motor Holder	1
8	12227600003203	Support Plate	1
9	12227600000849	Blockoff Plate Assembly	1
10	12227600004600	Partition Plate Assembly	1
11	12227600004643	Cabinet assembly	1
12	12227600000274	Support Bar Assembly	2
13	12227600003211	Cover assembly	1
14	12127600000010	Connector	1
15	15727100000712	Heat exchanger assembly	1
15.1	15727600000009	Tube Components	1
15.2	15827600000050	Secondary heat exchanger assembly	1
15.3	12227600000059	Spoiler	3
15.4	12227600000234	Gas Collecting Cover	1
16	17400513001114	Thermostat	1
17	12227600001408	Burner Assembly	1
17.2	17427600000007	Lgnition Needle	1
17.3	11201006000010	Special Sensor	1
17.4	17427600000004	Burner	3
18	15427600000065	Gas Pipe Assembly	1
18.1	15427600000007	Gas Pipe Assembly	1
18.1.1	15527600000001	Copper Nozzle	3
18.2	17427600001389	Gas Valve	1
19	12127600000928	Drainage pan assembly	1
20	12227600003232	Cover assembly	1
21	17400801010489	Exhaust fan components	1
22	12127600000009	Transparent Plastic Cover	2
23	12227600003218	Cover assembly	1
24	17400515000016	Air Differential Pressure Switch	1
25	17400515000420	Air Differential Pressure Switch	1
26	17400515000421	Air Differential Pressure Switch	1
27	12127600000015	Smoke Exhaust Elbow	1
28	12127600000016	Smoke Exhaust Pipe Joint Assembly	1
29	12227600000818	Junction Box	1
30	12227600000817	Junction Box Cover	1

Condensate Drain parts

Code	Des
12127600000006	Accessory - Water Collection Box Welding Part
12127600000007	Accessory - Drain Elbow
12127600000008	Accessory - Drain Elbow
122276000000029	Accessory - Water Collection Box Fixing Plate
126276000000003	Accessory - Rubber Drain Pipe
126276000000004	Accessory - Rubber Drain Pipe
122225000000376	Water Pump Suction Pipe Clamp
129001030000021	Clamp (Trivalent Chromium)

Due to ongoing product improvements, specifications and dimensions are subject to change and correction without notice or incurring obligations. Determining the application and suitability for use of any product is the responsibility of the installer. Additionally, the installer is responsible for verifying dimensional data on the actual product prior to beginning any installation preparations.

Incentive and rebate programs have precise requirements as to product performance and certification. All products meet applicable regulations in effect on date of manufacture; however, certifications are not necessarily granted for the life of a product. Therefore, it is the responsibility of the applicant to determine whether a specific model qualifies for these incentive/rebate programs.



1900 Wellworth Avenue • Jackson, MI 49203 • 517-787-2100