
Comfort-Cire® **Century**®

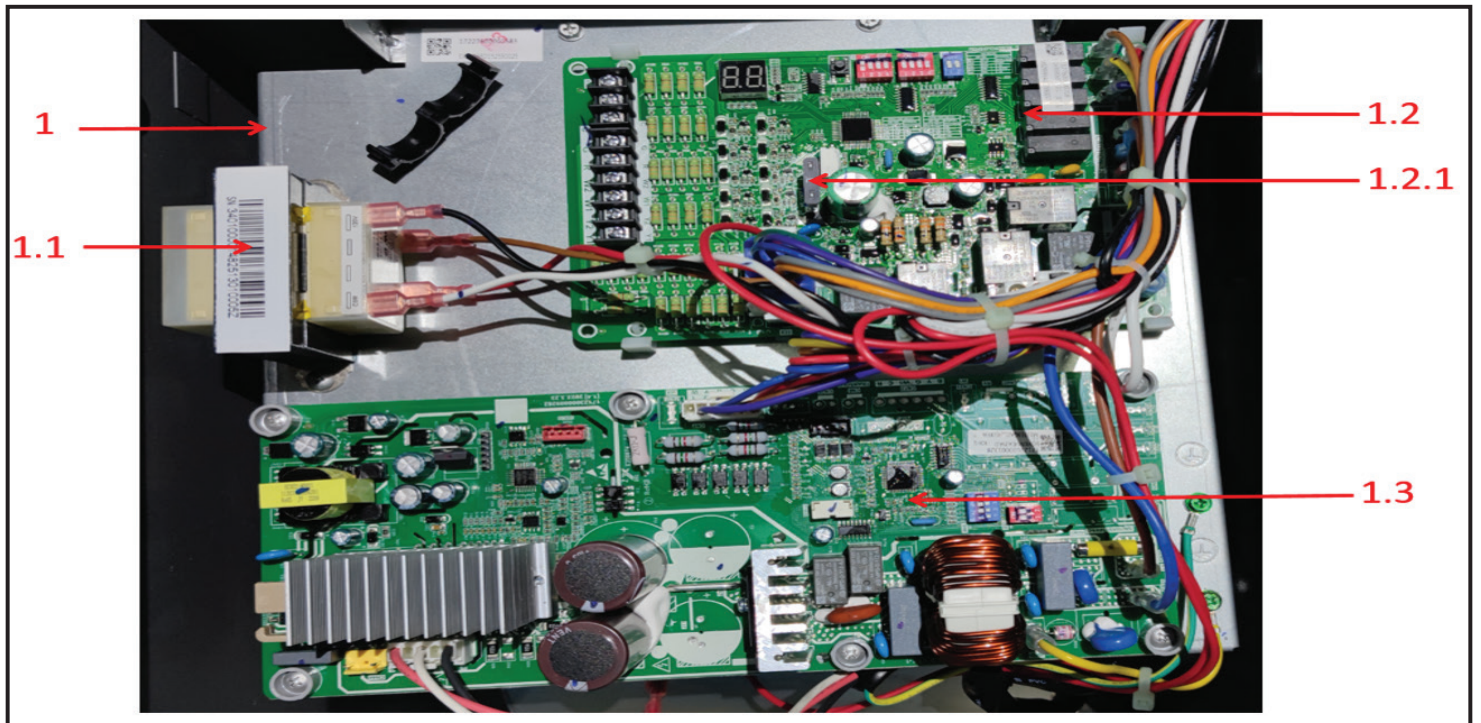
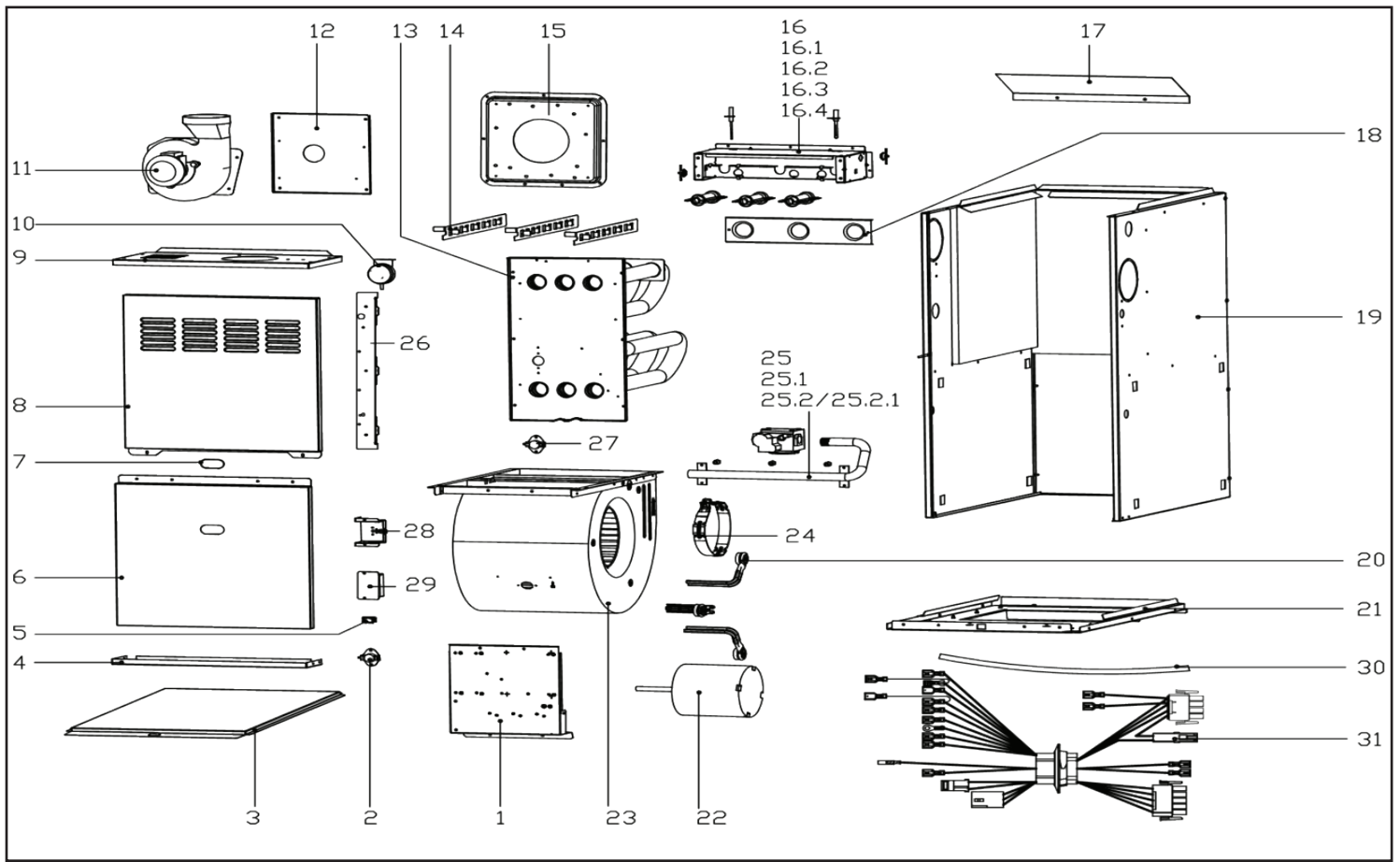
SE Series

Single-Stage Multi-Position Gas Furnace
80%

SGF80S060A3S1A

Parts List





EX_ID	Spare Parts Code	Part Name(EN)	Qty.
1	17227600002303	E-part box assembly	1
1.1	11203103000197	Linear Transformer	1
1.2	17127600002288	Main Control Board	1
1.3	17127600002088	Gas furnace, Main control board assembly	1
2	17400513002815	Thermostat	1
3	12227600000103	Blockoff Plate	1
4	12227600002723	Support plate assembly	1
5	17427600001148	Door Switch	1
6	12227600002445	Cover	1
7	12127600000009	Transparent Plastic Cover	1
8	12227600002448	Cover	1
9	12227600002446	Cover assembly	1
10	17400515000421	Air Differential Pressure Switch	1
11	17400801000223	Combustion Blower And Motor Assembly	1
12	12227600000012	Exhaust Baffles	1
13	15727600000008	Heat Exchanger Tube Bundle	1
14	12227600000058	Spoiler	3
15	12227600000236	Blockoff Plate	1
16	12227600002762	Burner Assembly	1
16.1	11201006000010	Special Sensor	1
16.2	17427600000007	Lgnition Needle	1
16.3	17400513000045	Thermostat	2
16.4	17427600000005	Burner	3
17	12227600000019	Blockoff Plate	1
18	12227600000229	Baffle	1
19	12227600A01084	Cabinet Components	1
20	12223000001934	Motor Holder Assembly	3
21	12227600004106	Partition board ass'y	1
22	11002015016399	Brushless DC Motor	1
23	12200102000019	Centrifugal Fan	1
24	12223000001992	Motor Holder	1
25	15427600000121	Gas Pipe Assembly	1
25.1	17427600001389	Gas Valve	1
25.2	15427600000120	Gas Pipe Assembly	1
25.2.1	15527600000001	Copper Nozzle	3
26	12227600004100	Support plate assembly	2
27	17400513003815	Thermostat	1
28	12227600000818	Junction Box	1
29	12227600000817	Junction Box Cover	1
30	12627600000008	Silicone Tube	1
31	17401203023509	Strong Electric Cable Group	1

Due to ongoing product improvements, specifications and dimensions are subject to change and correction without notice or incurring obligations. Determining the application and suitability for use of any product is the responsibility of the installer. Additionally, the installer is responsible for verifying dimensional data on the actual product prior to beginning any installation preparations.

Incentive and rebate programs have precise requirements as to product performance and certification. All products meet applicable regulations in effect on date of manufacture; however, certifications are not necessarily granted for the life of a product. Therefore, it is the responsibility of the applicant to determine whether a specific model qualifies for these incentive/rebate programs.



1900 Wellworth Avenue • Jackson, MI 49203 • 517-787-2100