



SE Series

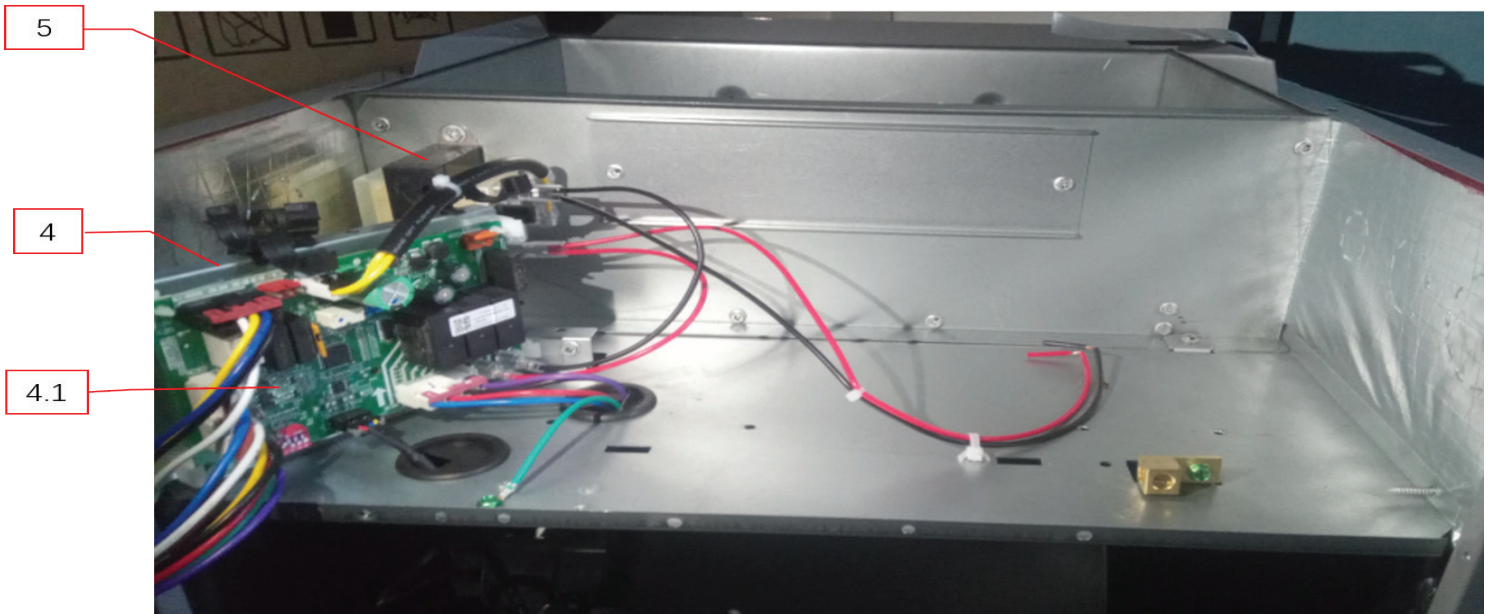
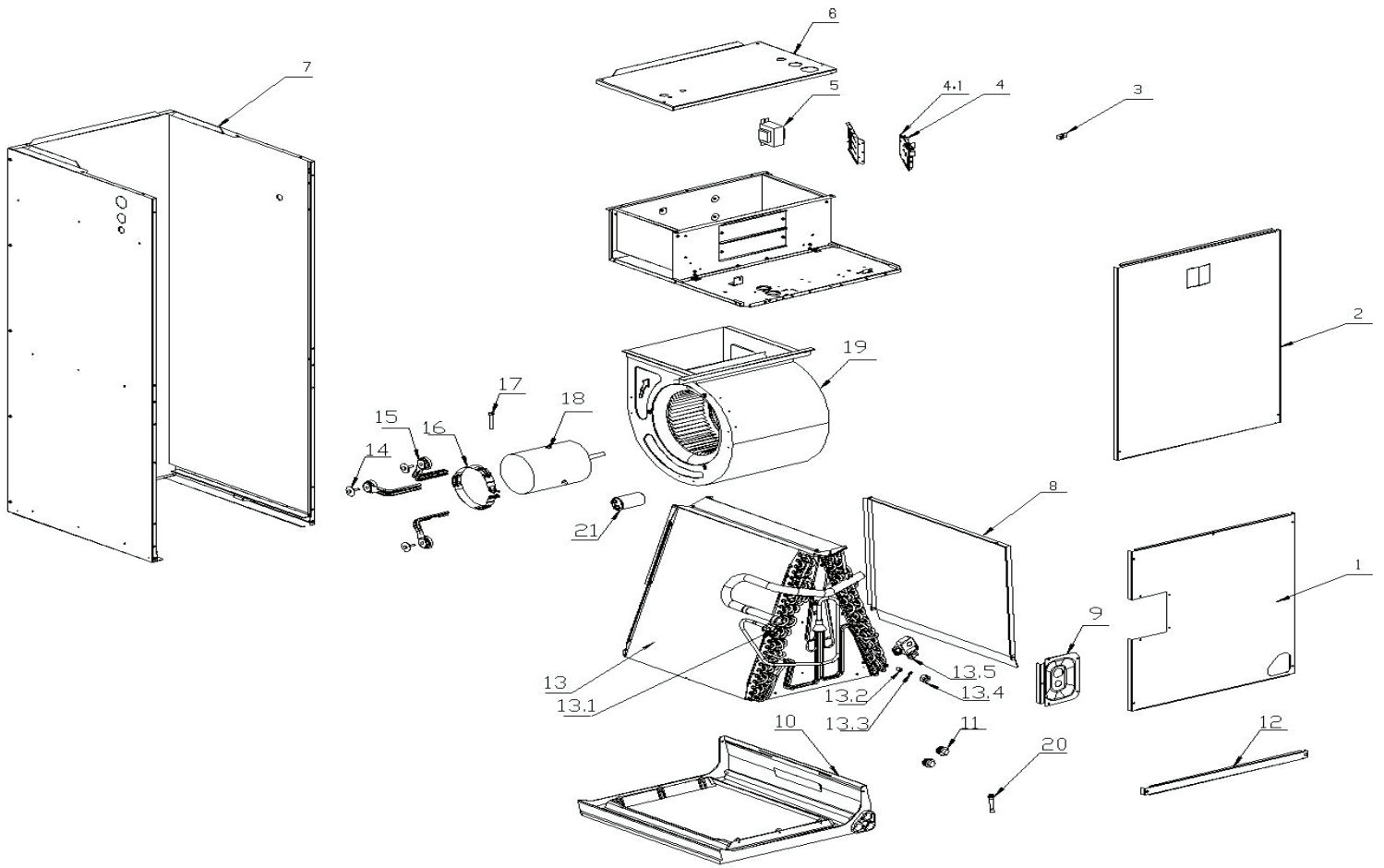
Multi-Position Air Handler

PSC Motor

SAHP18S1A

Parts List





EX_ID	Spare Parts Code	Part Name(EN)	Qty.
1	12223000010753	Side Panel Assembly	1
2	12223000002193	Side Panel Assembly	1
3	11201708000008	Terminal	1
4	17223000011005	E-part box assembly	1
4.1	17123000012125	Indoor unit main control board	1
5	11203103002859	Linear Transformer	1
6	12223000017810	Side panel assembly	1
7	12223000002356	Chassis Assembly	1
8	12223000001213	Drain Pan	1
9	12223000017860	Cover plate ass'y	1
10	12123000003580	Drain pan ass'y	1
11	15500402000023	Seal Plug	2
12	12223000002002	Cover board	1
13	15823000007334	Evaporator assembly	1
13.1	15500210000968	Two-Way Pipeline Throttle Valve	1
13.2	15500210000968	Two-Way Pipeline Throttle Valve	1
13.2	15500220000229	Valve plug	1
13.3	12100901000010	Seal Ring	1
13.4	15500402000285	Nut	1
13.5	11201003000424	Gas sensor	1
13.6	15423000004539	Evaporator Inlet Pipe Assembly	1
14	11301002000673	Hexagon Head Bolt and Plain Washer	3
15	12223000001932	Motor Holder Assembly	3
16	12223000001992	Motor Holder	1
17	11301705000106	Hexagon Head Bolt	1
18	11002012044889	Single Phase Asynchronous Motor	1
19	12200101000018	Wind Turbine Parts	1
20	15500302000006	Flange joint	1
21	17400103000152	Compressor Capacitor	1

Due to ongoing product improvements, specifications and dimensions are subject to change and correction without notice or incurring obligations. Determining the application and suitability for use of any product is the responsibility of the installer. Additionally, the installer is responsible for verifying dimensional data on the actual product prior to beginning any installation preparations.

Incentive and rebate programs have precise requirements as to product performance and certification. All products meet applicable regulations in effect on date of manufacture; however, certifications are not necessarily granted for the life of a product. Therefore, it is the responsibility of the applicant to determine whether a specific model qualifies for these incentive/rebate programs.



1900 Wellworth Avenue • Jackson, MI 49203 • 517-787-2100