



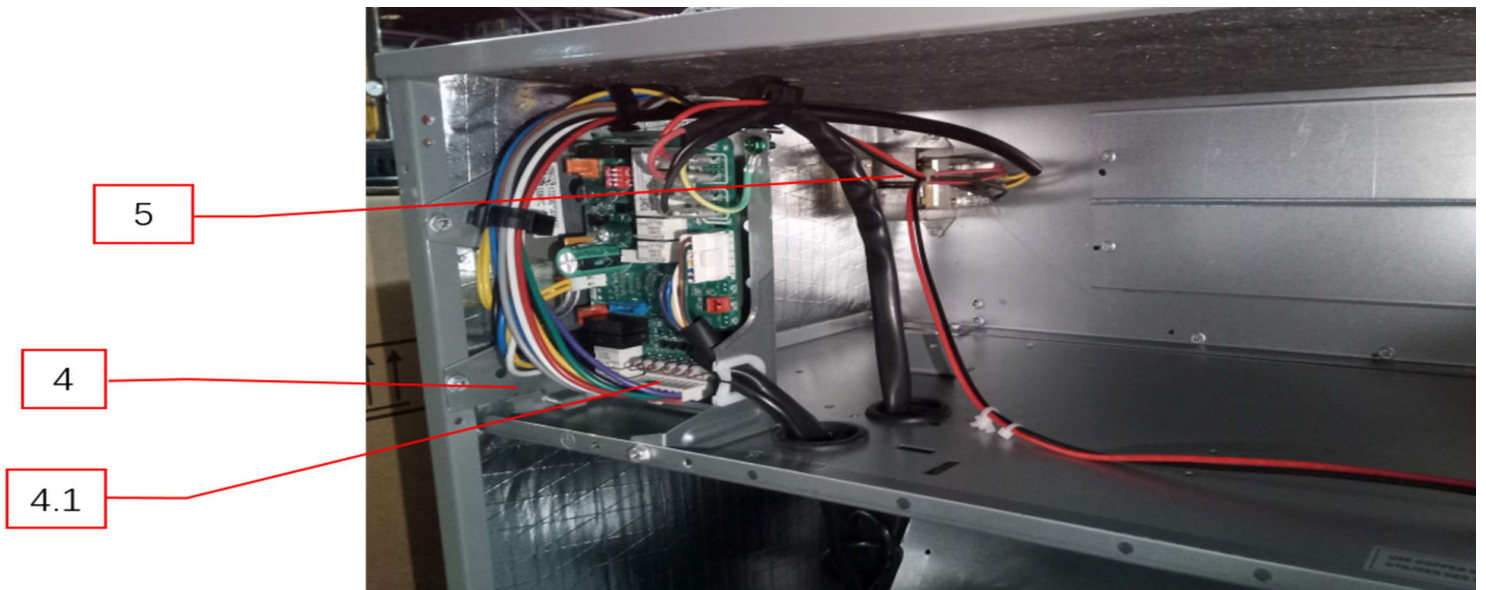
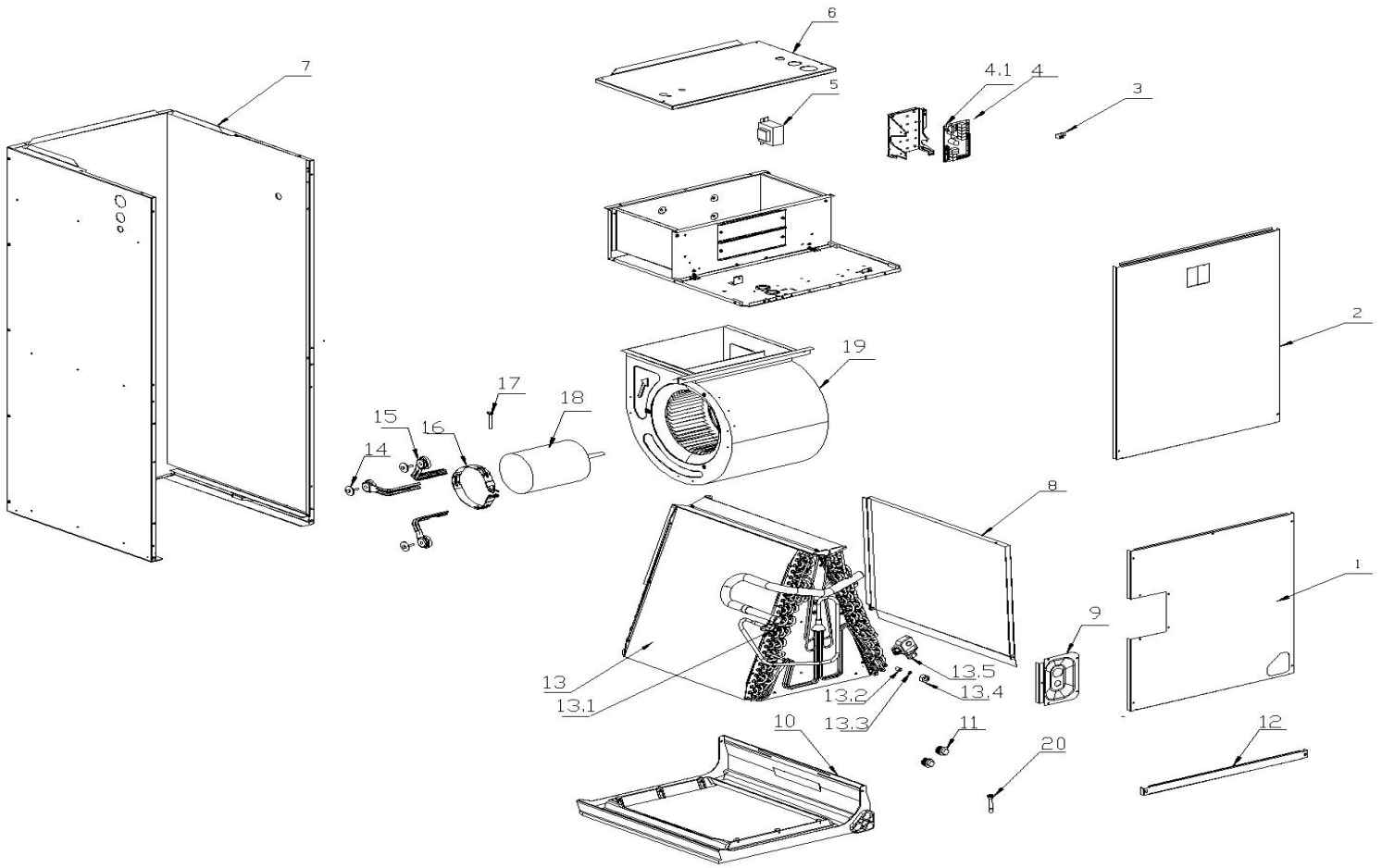
Multi-Position Air Handler

Constant Torque

SAHC48S1A

Parts List





EX_ID	Spare Parts Code	Part Name(EN)	Qty.
1	12223000010749	Side Panel Assembly	1
2	12223000002187	Side Panel Assembly	1
3	11201708000008	Terminal	1
4	17223000011007	E-part box assembly	1
4.1	17123000012124	Indoor unit main control board	1
5	11203103002859	Linear Transformer	1
6	12223000017862	Side panel assembly	1
7	12223000002361	Chassis Assembly	1
8	12223000001210	Drain Pan	1
9	12223000017860	Cover plate ass'y	1
10	121230000003422	Drain pan ass'y	1
11	15500402000023	Seal Plug	2
12	12223000002000	Cover Board	1
13	15823000007343	Evaporator assembly	1
13.1	15500210000968	Two-Way Pipeline Throttle Valve	1
13.2	15500210000968	Two-Way Pipeline Throttle Valve	1
13.2	15500220000049	Valve Plug	1
13.3	12100901000010	Seal Ring	1
13.4	15500402000245	Nut	1
13.5	11201003000424	Gas sensor	1
13.6	15423000004538	Evaporator Inlet Pipe Assembly	1
14	11300903000781	Hexagon Head Bolt and Plain Washer	3
15	12223000017580	Motor holder assembly	3
16	12223000001992	Motor Holder	1
17	11301705000106	Hexagon Head Bolt	1
18	11002015020314	Brushless DC Motor	1
19	12200101000353	Fan Assembly	1
20	15500302000006	Flange joint	1

Due to ongoing product improvements, specifications and dimensions are subject to change and correction without notice or incurring obligations. Determining the application and suitability for use of any product is the responsibility of the installer. Additionally, the installer is responsible for verifying dimensional data on the actual product prior to beginning any installation preparations.

Incentive and rebate programs have precise requirements as to product performance and certification. All products meet applicable regulations in effect on date of manufacture; however, certifications are not necessarily granted for the life of a product. Therefore, it is the responsibility of the applicant to determine whether a specific model qualifies for these incentive/rebate programs.



1900 Wellworth Avenue • Jackson, MI 49203 • 517-787-2100