

SPECIFICATIONS

Configurations

- Upflow / Horizontal
- Downflow

Heat Exchanger Design

- Aluminized steel primary heat exchanger with crimped non-welded construction
- AL 29-4C stainless steel secondary heat exchanger

Burner

- Aluminized steel inshot burners for smooth ignition

Cabinet Design

- Compact 33" height
- Standardized widths for easy coil fit

Air Delivery System

- Multi-speed high efficiency (constant torque) blower motor
- Easily removable slide-out blower design
- Enhanced cooling SEER ratings when applied with properly matched cooling equipment

Controls

- Single stage gas valve
- Self diagnostics save last 10 fault codes regardless of power interruption
- Durable silicon nitride igniter

Venting

- Designed certified for direct (2-pipe) and non direct (1-pipe) applications
- Easily vented with PVC pipe

Installation Features

- Left or right gas and utility connection
- Zero step horizontal conversion
- Removable floor base (upflow/horizontal units) for bottom return air
- Designed certified for direct and non-direct vent applications
- Complies with California's South Coast Air Quality Management district 40ng/J Low NOx requirements

GUH/GDD96C

SINGLE STAGE CONSTANT TORQUE GAS FURNACE

96% AFUE



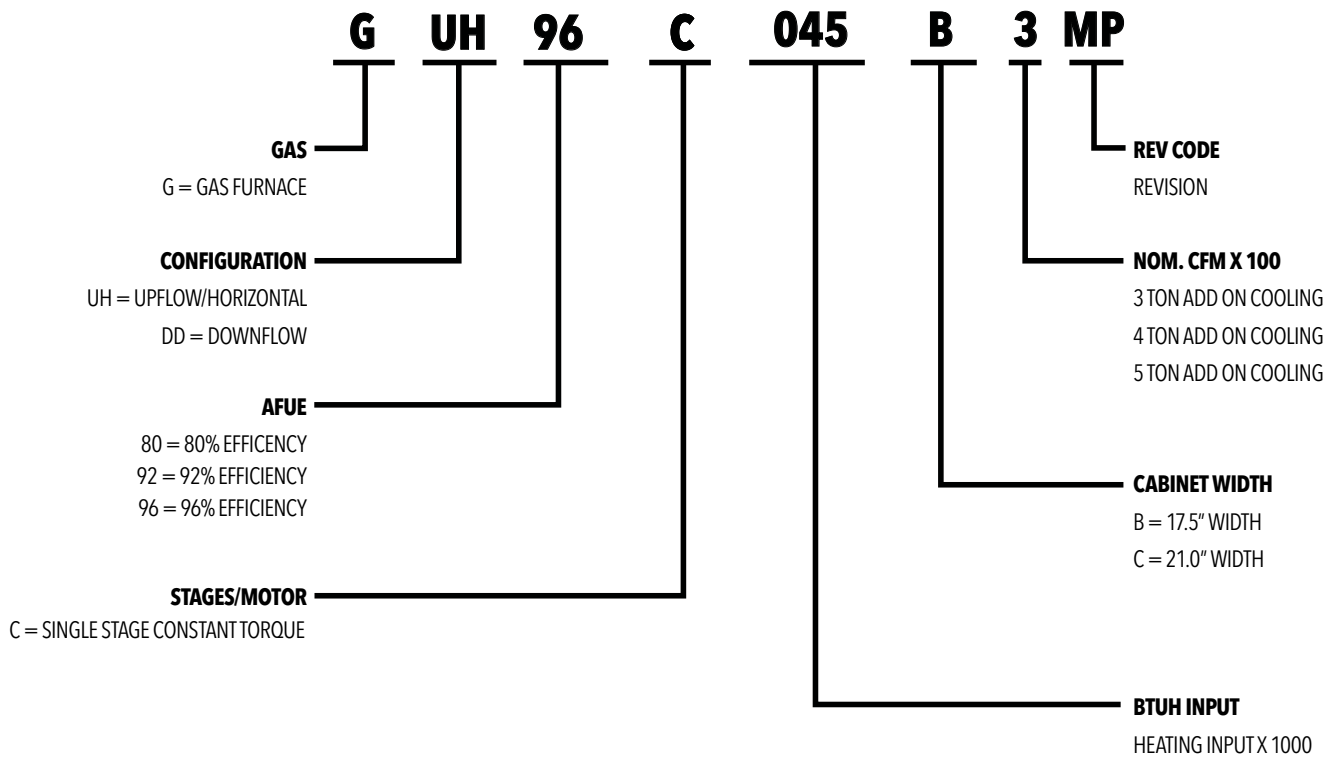
California Only

This furnace does not meet the South Coast Air Quality Management District (SCAQMD) Rule 1111 and San Joaquin Valley Air Pollution Control District (SJVAPCD) Rule 4905 NOx emission limit (14 ng/J) and cannot be installed within the SCAQMD or SJVAPCD and Bay Area.

Warranty—Standard warranty or Extended warranty available with product registration. See warranty document for details or visit www.century-hvac.com



MODEL NUMBER GUIDE



PHYSICAL AND ELECTRICAL DATA

| | Model | Input (Btuh) | Output (Btuh) | AFUE (ICS) | Nominal Cooling Capacity | Gas Inlet (in.) | Volts/Hz/Phase | Max. Time Delay Breaker or Fuse | Nominal F.L.A. | Trans. (V.A.) | Approx. Shipping Weight (lbs.) |
|---------------------|---------------|--------------|---------------|------------|--------------------------|-----------------|----------------|---------------------------------|----------------|---------------|--------------------------------|
| UPFLOW / HORIZONTAL | GUH96C045B3MP | 44,000 | 42,800 | 96.0% | 3 Ton | 1/2 | 120 - 60 - 1 | 15 | 6.8 | 40 | 124 |
| | GUH96C070B3MP | 66,000 | 63,900 | 96.0% | 3 Ton | 1/2 | 120 - 60 - 1 | 15 | 6.8 | 40 | 129 |
| | GUH96C090C4MP | 88,000 | 85,600 | 96.0% | 4 Ton | 1/2 | 120 - 60 - 1 | 15 | 8.4 | 40 | 152 |
| | GUH96C110C5MP | 110,000 | 107,200 | 96.0% | 5 Ton | 1/2 | 120 - 60 - 1 | 15 | 10.9 | 40 | 164 |
| | GUH96C135D5MP | 132,000 | 127,000 | 96.0% | 5 Ton | 1/2 | 120 - 60 - 1 | 15 | 10.9 | 40 | 174 |
| DOWNFLOW | GDD96C045B3MP | 44,000 | 42,000 | 96.0% | 3 Ton | 1/2 | 120 - 60 - 1 | 15 | 6.8 | 40 | 126 |
| | GDD96C070B4MP | 66,000 | 64,000 | 96.0% | 4 Ton | 1/2 | 120 - 60 - 1 | 15 | 8.4 | 40 | 139 |
| | GDD96C090C4MP | 88,000 | 86,000 | 96.0% | 4 Ton | 1/2 | 120 - 60 - 1 | 15 | 8.4 | 40 | 154 |
| | GDD96C110C5MP | 110,000 | 108,000 | 96.0% | 5 Ton | 1/2 | 120 - 60 - 1 | 15 | 10.9 | 40 | 162 |

Note: For vent length and clearances to combustibles, please reference installation instructions.

BLOWER PERFORMANCE DATA UPFLOW/HORIZONTAL

GUH96C045B3MP PERFORMANCE (Less Filter)

| External Static Pressure in. w.c. | Temp Rise | Air Volume / Watts at Various Blower Speeds | | | | | | | | | |
|-----------------------------------|---------------|---|-------|-------------|-------|--------|-------|------------|-------|-----|-------|
| | Rise Range °F | High | | Medium-High | | Medium | | Medium-Low | | Low | |
| | | cfm | Watts | cfm | Watts | cfm | Watts | cfm | Watts | cfm | Watts |
| 0.10 | 35-65 | 1393 | 360 | 1231 | 257 | 1140 | 201 | 910 | 115 | 857 | 99 |
| 0.20 | | 1365 | 369 | 1195 | 268 | 1104 | 215 | 861 | 122 | 810 | 109 |
| 0.30 | | 1333 | 383 | 1166 | 281 | 1070 | 224 | 826 | 132 | 760 | 118 |
| 0.40 | | 1304 | 396 | 1140 | 293 | 1039 | 231 | 784 | 141 | 722 | 125 |
| 0.50 | | 1254 | 392 | 1116 | 302 | 1002 | 246 | 728 | 149 | 673 | 131 |
| 0.60 | | 1191 | 380 | 1089 | 311 | 969 | 255 | 687 | 157 | 625 | 141 |
| 0.70 | | 1115 | 354 | 1047 | 324 | 941 | 265 | 651 | 165 | 582 | 147 |
| 0.80 | | 987 | 318 | 976 | 311 | 906 | 273 | 601 | 170 | 537 | 155 |
| 0.90 | | 858 | 282 | 859 | 283 | 835 | 268 | 555 | 181 | 489 | 161 |
| 1.00 | | 713 | 251 | 703 | 248 | 713 | 243 | 497 | 189 | 444 | 168 |

GUH96C070B3MP PERFORMANCE (Less Filter)

| External Static Pressure in. w.c. | Temp Rise | Air Volume / Watts at Various Blower Speeds | | | | | | | | | |
|-----------------------------------|---------------|---|-------|-------------|-------|--------|-------|------------|-------|-----|-------|
| | Rise Range °F | High | | Medium-High | | Medium | | Medium-Low | | Low | |
| | | cfm | Watts | cfm | Watts | cfm | Watts | cfm | Watts | cfm | Watts |
| 0.10 | 35-65 | 1404 | 347 | 1256 | 256 | 1145 | 196 | 913 | 114 | 864 | 98 |
| 0.20 | | 1374 | 361 | 1218 | 266 | 1102 | 206 | 870 | 119 | 811 | 103 |
| 0.30 | | 1350 | 370 | 1192 | 278 | 1081 | 216 | 821 | 131 | 766 | 114 |
| 0.40 | | 1319 | 384 | 1157 | 290 | 1043 | 225 | 780 | 136 | 721 | 123 |
| 0.50 | | 1286 | 399 | 1133 | 300 | 1008 | 241 | 744 | 145 | 680 | 133 |
| 0.60 | | 1241 | 393 | 1104 | 312 | 982 | 249 | 702 | 153 | 637 | 138 |
| 0.70 | | 1169 | 373 | 1066 | 321 | 946 | 261 | 658 | 163 | 601 | 148 |
| 0.80 | | 1064 | 341 | 1013 | 315 | 914 | 269 | 616 | 172 | 552 | 152 |
| 0.90 | | 925 | 310 | 857 | 279 | 860 | 272 | 581 | 178 | 514 | 160 |
| 1.00 | | 753 | 261 | 705 | 244 | 754 | 253 | 515 | 191 | 478 | 167 |

GUH96C090C4MP PERFORMANCE (Less Filter)

| External Static Pressure in. w.c. | Temp Rise | Air Volume / Watts at Various Blower Speeds | | | | | | | | | |
|-----------------------------------|---------------|---|-------|-------------|-------|--------|-------|------------|-------|------|-------|
| | Rise Range °F | High | | Medium-High | | Medium | | Medium-Low | | Low | |
| | | cfm | Watts | cfm | Watts | cfm | Watts | cfm | Watts | cfm | Watts |
| 0.10 | 50-80 | 1684 | 395 | 1480 | 264 | 1356 | 209 | 1269 | 180 | 1147 | 142 |
| 0.20 | | 1645 | 410 | 1448 | 281 | 1323 | 226 | 1236 | 191 | 1101 | 149 |
| 0.30 | | 1626 | 422 | 1414 | 295 | 1294 | 238 | 1195 | 204 | 1070 | 162 |
| 0.40 | | 1593 | 435 | 1381 | 307 | 1245 | 253 | 1158 | 213 | 1022 | 172 |
| 0.50 | | 1564 | 451 | 1347 | 322 | 1210 | 261 | 1120 | 225 | 983 | 182 |
| 0.60 | | 1529 | 465 | 1308 | 335 | 1175 | 274 | 1084 | 237 | 943 | 193 |
| 0.70 | | 1481 | 463 | 1288 | 346 | 1143 | 288 | 1039 | 250 | 897 | 204 |
| 0.80 | | 1395 | 442 | 1247 | 359 | 1103 | 297 | 1003 | 262 | 860 | 214 |
| 0.90 | | 1290 | 412 | 1211 | 369 | 1067 | 309 | 960 | 272 | 813 | 225 |
| 1.00 | | 1123 | 361 | 1097 | 351 | 1011 | 319 | 917 | 281 | 772 | 230 |

BLOWER PERFORMANCE DATA UPFLOW/HORIZONTAL

GUH96C110C5MP PERFORMANCE (Less Filter)

| External Static Pressure in. w.g. | Temp Rise | Air Volume / Watts at Different Blower Speeds | | | | | | | | | | | | | | | | | | | |
|-----------------------------------|-----------|--|----------|-------|--------|-------|---------|-------|-----|-------|------|--|----------|-------|--------|-------|---------|-------|-----|-------|-----|
| | | Bottom Return Air, Side Return Air with Optional Return Air Base, Return Air from Both Sides or Return Air from Bottom and One Side. | | | | | | | | | | Single Side Return Air – Air volumes in bold require field fabricated transition to accommodate 20 x 25 x 1 in. air filter in order to maintain proper air velocity. | | | | | | | | | |
| | High | | Med-High | | Medium | | Med-Low | | Low | | High | | Med-High | | Medium | | Med-Low | | Low | | |
| | cfm | Watts | cfm | Watts | cfm | Watts | Watts | Watts | cfm | Watts | cfm | Watts | cfm | Watts | cfm | Watts | cfm | Watts | cfm | Watts | |
| 0.10 | 45-75 | 2160 | 658 | 1911 | 446 | 1742 | 346 | 1620 | 291 | 1438 | 220 | 2093 | 644 | 1858 | 438 | 1688 | 341 | 1590 | 281 | 1410 | 205 |
| 0.20 | | 2124 | 676 | 1858 | 464 | 1693 | 361 | 1582 | 306 | 1388 | 230 | 2064 | 655 | 1824 | 451 | 1653 | 349 | 1546 | 296 | 1367 | 216 |
| 0.30 | | 2084 | 688 | 1822 | 477 | 1658 | 373 | 1536 | 314 | 1336 | 239 | 2033 | 669 | 1788 | 467 | 1619 | 363 | 1511 | 306 | 1321 | 228 |
| 0.40 | | 2051 | 703 | 1797 | 492 | 1615 | 386 | 1497 | 328 | 1288 | 250 | 1996 | 686 | 1749 | 482 | 1580 | 376 | 1473 | 322 | 1275 | 239 |
| 0.50 | | 2024 | 718 | 1754 | 508 | 1581 | 397 | 1452 | 342 | 1247 | 261 | 1971 | 704 | 1709 | 498 | 1543 | 392 | 1436 | 330 | 1230 | 251 |
| 0.60 | | 1993 | 734 | 1716 | 519 | 1537 | 413 | 1414 | 353 | 1203 | 270 | 1941 | 720 | 1676 | 512 | 1503 | 403 | 1387 | 347 | 1184 | 262 |
| 0.70 | | 1942 | 742 | 1680 | 535 | 1500 | 423 | 1381 | 361 | 1157 | 277 | 1903 | 734 | 1644 | 524 | 1468 | 419 | 1351 | 356 | 1140 | 271 |
| 0.80 | | 1877 | 721 | 1644 | 547 | 1465 | 434 | 1342 | 372 | 1121 | 288 | 1855 | 732 | 1606 | 542 | 1424 | 430 | 1313 | 369 | 1105 | 282 |
| 0.90 | | 1789 | 693 | 1614 | 563 | 1423 | 450 | 1294 | 386 | 1061 | 300 | 1780 | 707 | 1571 | 554 | 1386 | 443 | 1273 | 380 | 1061 | 293 |
| 1.00 | | 1696 | 654 | 1580 | 573 | 1395 | 461 | 1267 | 396 | 1014 | 310 | 1675 | 670 | 1535 | 569 | 1352 | 456 | 1238 | 392 | 1019 | 302 |

GUH96C135D5MP PERFORMANCE (Less Filter)

| External Static Pressure in. w.g. | Temp Rise | Air Volume / Watts at Different Blower Speeds | | | | | | | | | | | | | | | | | | | |
|-----------------------------------|-----------|--|----------|-------|--------|-------|---------|-------|-----|-------|------|--|----------|-------|--------|-------|---------|-------|-----|-------|-----|
| | | Bottom Return Air, Side Return Air with Optional Return Air Base, Return Air from Both Sides or Return Air from Bottom and One Side. | | | | | | | | | | Single Side Return Air – Air volumes in bold require field fabricated transition to accommodate 20 x 25 x 1 in. air filter in order to maintain proper air velocity. | | | | | | | | | |
| | High | | Med-High | | Medium | | Med-Low | | Low | | High | | Med-High | | Medium | | Med-Low | | Low | | |
| | cfm | Watts | cfm | Watts | cfm | Watts | Watts | Watts | cfm | Watts | cfm | Watts | cfm | Watts | cfm | Watts | cfm | Watts | cfm | Watts | |
| 0.10 | 45-75 | 2425 | 901 | 2247 | 714 | 2033 | 556 | 1821 | 406 | 1633 | 306 | 2340 | 883 | 2167 | 694 | 1995 | 534 | 1780 | 392 | 1611 | 291 |
| 0.20 | | 2392 | 919 | 2214 | 730 | 1998 | 572 | 1787 | 420 | 1598 | 316 | 2303 | 901 | 2125 | 715 | 1956 | 551 | 1752 | 402 | 1560 | 306 |
| 0.30 | | 2361 | 933 | 2179 | 752 | 1954 | 588 | 1745 | 436 | 1549 | 331 | 2277 | 912 | 2095 | 733 | 1920 | 566 | 1711 | 417 | 1527 | 316 |
| 0.40 | | 2326 | 956 | 2151 | 771 | 1931 | 599 | 1694 | 450 | 1508 | 343 | 2253 | 933 | 2067 | 748 | 1882 | 581 | 1670 | 433 | 1479 | 329 |
| 0.50 | | 2291 | 971 | 2120 | 785 | 1885 | 617 | 1666 | 462 | 1465 | 356 | 2215 | 951 | 2037 | 762 | 1850 | 595 | 1634 | 444 | 1444 | 342 |
| 0.60 | | 2249 | 990 | 2078 | 802 | 1852 | 633 | 1622 | 476 | 1420 | 366 | 2188 | 967 | 2007 | 781 | 1816 | 608 | 1601 | 460 | 1404 | 355 |
| 0.70 | | 2223 | 1006 | 2049 | 819 | 1815 | 646 | 1583 | 489 | 1376 | 378 | 2159 | 989 | 1973 | 797 | 1779 | 627 | 1565 | 474 | 1363 | 368 |
| 0.80 | | 2181 | 1001 | 2002 | 832 | 1782 | 660 | 1548 | 501 | 1340 | 388 | 2127 | 1004 | 1938 | 815 | 1742 | 638 | 1525 | 487 | 1315 | 380 |
| 0.90 | | 2061 | 928 | 1974 | 846 | 1743 | 678 | 1507 | 515 | 1298 | 401 | 2096 | 1023 | 1906 | 828 | 1716 | 655 | 1487 | 501 | 1276 | 390 |
| 1.00 | | 1937 | 869 | 1933 | 857 | 1680 | 703 | 1478 | 527 | 1263 | 414 | 1997 | 936 | 1870 | 840 | 1670 | 670 | 1441 | 513 | 1237 | 399 |

GDD96C045B3MP PERFORMANCE (Less Filter)

| External Static Pressure in. w.c. | Temp Rise | Air Volume / Watts at Various Blower Speeds | | | | | | | | | |
|-----------------------------------|-----------|---|-----|-------------|-----|--------|-----|------------|-----|-------|-----|
| | | High | | Medium-High | | Medium | | Medium-Low | | Low | |
| | cfm | Watts | cfm | Watts | cfm | Watts | cfm | Watts | cfm | Watts | |
| 0.10 | 30-60 | 1385 | 331 | 1230 | 242 | 1125 | 192 | 890 | 113 | 843 | 98 |
| 0.20 | | 1356 | 346 | 1201 | 255 | 1089 | 203 | 854 | 119 | 800 | 105 |
| 0.30 | | 1327 | 359 | 1162 | 259 | 1058 | 212 | 814 | 127 | 761 | 110 |
| 0.40 | | 1301 | 365 | 1136 | 267 | 1023 | 219 | 776 | 133 | 719 | 118 |
| 0.50 | | 1270 | 376 | 1106 | 278 | 990 | 224 | 735 | 139 | 678 | 124 |
| 0.60 | | 1239 | 377 | 1075 | 286 | 950 | 234 | 690 | 145 | 628 | 131 |
| 0.70 | | 1179 | 368 | 1039 | 294 | 927 | 240 | 647 | 152 | 588 | 136 |
| 0.80 | | 1098 | 347 | 1017 | 305 | 890 | 249 | 609 | 158 | 548 | 142 |
| 0.90 | | 1011 | 326 | 967 | 305 | 862 | 257 | 574 | 164 | 513 | 148 |
| 1.00 | | 892 | 296 | 879 | 286 | 817 | 262 | 538 | 171 | 476 | 155 |

BLOWER PERFORMANCE DATA UPFLOW/HORIZONTAL

GDD96C070B4MP PERFORMANCE (Less Filter)

| External Static Pressure in. w.c. | Temp Rise | Air Volume / Watts at Various Blower Speeds | | | | | | | | | |
|-----------------------------------|---------------|---|-------|-------------|-------|--------|-------|------------|-------|-----|-------|
| | Rise Range °F | High | | Medium-High | | Medium | | Medium-Low | | Low | |
| | | cfm | Watts | cfm | Watts | cfm | Watts | cfm | Watts | cfm | Watts |
| 0.10 | 35-65 | 1712 | 502 | 1493 | 347 | 1320 | 251 | 1219 | 208 | 974 | 124 |
| 0.20 | | 1682 | 516 | 1462 | 362 | 1282 | 262 | 1177 | 217 | 926 | 132 |
| 0.30 | | 1650 | 529 | 1426 | 372 | 1244 | 273 | 1135 | 226 | 874 | 140 |
| 0.40 | | 1619 | 541 | 1392 | 383 | 1204 | 281 | 1091 | 235 | 821 | 147 |
| 0.50 | | 1592 | 556 | 1353 | 393 | 1161 | 290 | 1047 | 243 | 771 | 155 |
| 0.60 | | 1542 | 554 | 1319 | 404 | 1121 | 299 | 1002 | 251 | 718 | 161 |
| 0.70 | | 1484 | 546 | 1281 | 412 | 1078 | 308 | 959 | 260 | 659 | 168 |
| 0.80 | | 1417 | 532 | 1245 | 423 | 1038 | 318 | 915 | 269 | 603 | 176 |
| 0.90 | | 1341 | 514 | 1207 | 434 | 999 | 328 | 871 | 277 | 551 | 184 |
| 1.00 | | 1232 | 485 | 1160 | 440 | 959 | 336 | 825 | 286 | 487 | 193 |

GDD96C090C4MP PERFORMANCE (Less Filter)

| External Static Pressure in. w.c. | Temp Rise | Air Volume / Watts at Various Blower Speeds | | | | | | | | | |
|-----------------------------------|---------------|---|-------|-------------|-------|--------|-------|------------|-------|------|-------|
| | Rise Range °F | High | | Medium-High | | Medium | | Medium-Low | | Low | |
| | | cfm | Watts | cfm | Watts | cfm | Watts | cfm | Watts | cfm | Watts |
| 0.10 | 50-80 | 1714 | 379 | 1510 | 269 | 1378 | 215 | 1302 | 185 | 1172 | 148 |
| 0.20 | | 1679 | 389 | 1469 | 279 | 1321 | 223 | 1238 | 194 | 1109 | 153 |
| 0.30 | | 1639 | 396 | 1436 | 287 | 1288 | 235 | 1201 | 206 | 1066 | 163 |
| 0.40 | | 1604 | 408 | 1384 | 300 | 1232 | 241 | 1150 | 209 | 1014 | 171 |
| 0.50 | | 1569 | 419 | 1343 | 305 | 1199 | 249 | 1106 | 225 | 954 | 176 |
| 0.60 | | 1510 | 432 | 1298 | 315 | 1150 | 258 | 1051 | 232 | 917 | 185 |
| 0.70 | | 1487 | 441 | 1260 | 323 | 1101 | 267 | 1003 | 232 | 862 | 191 |
| 0.80 | | 1422 | 437 | 1218 | 332 | 1054 | 275 | 952 | 241 | 807 | 199 |
| 0.90 | | 1321 | 416 | 1175 | 344 | 1012 | 283 | 904 | 249 | 749 | 207 |
| 1.00 | | 1197 | 383 | 1124 | 349 | 970 | 291 | 861 | 259 | 694 | 215 |

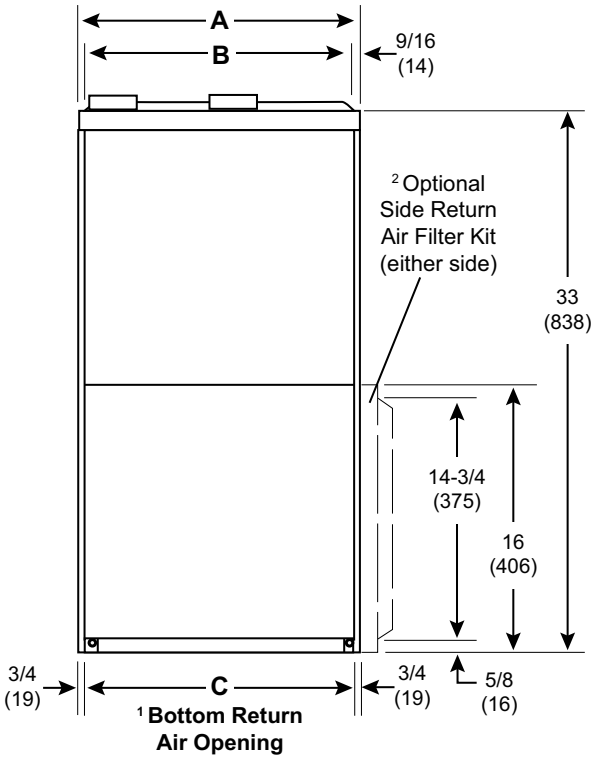
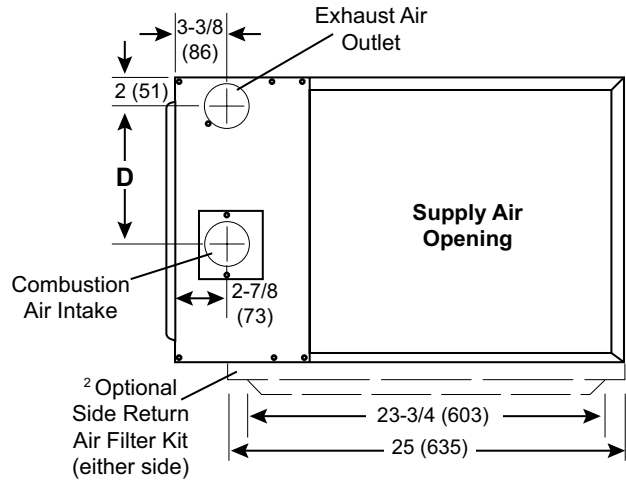
GDD96C110C5MP PERFORMANCE (Less Filter)

| External Static Pressure in. w.c. | Temp Rise | Air Volume / Watts at Various Blower Speeds | | | | | | | | | |
|-----------------------------------|---------------|---|-------|-------------|-------|--------|-------|------------|-------|------|-------|
| | Rise Range °F | High | | Medium-High | | Medium | | Medium-Low | | Low | |
| | | cfm | Watts | cfm | Watts | cfm | Watts | cfm | Watts | cfm | Watts |
| 0.10 | 40-70 | 2169 | 679 | 1929 | 479 | 1770 | 369 | 1656 | 308 | 1474 | 227 |
| 0.20 | | 2121 | 697 | 1877 | 492 | 1712 | 383 | 1598 | 317 | 1417 | 236 |
| 0.30 | | 2083 | 710 | 1835 | 502 | 1673 | 392 | 1543 | 330 | 1371 | 245 |
| 0.40 | | 2038 | 721 | 1798 | 515 | 1627 | 403 | 1502 | 338 | 1315 | 253 |
| 0.50 | | 2006 | 732 | 1747 | 528 | 1573 | 414 | 1449 | 351 | 1265 | 263 |
| 0.60 | | 1966 | 743 | 1707 | 538 | 1527 | 420 | 1402 | 359 | 1197 | 272 |
| 0.70 | | 1927 | 760 | 1667 | 547 | 1475 | 432 | 1352 | 368 | 1146 | 279 |
| 0.80 | | 1890 | 767 | 1623 | 558 | 1434 | 445 | 1313 | 379 | 1093 | 288 |
| 0.90 | | 1844 | 768 | 1575 | 568 | 1389 | 453 | 1254 | 388 | 1026 | 296 |
| 1.00 | | 1728 | 750 | 1540 | 578 | 1337 | 463 | 1205 | 397 | 980 | 304 |

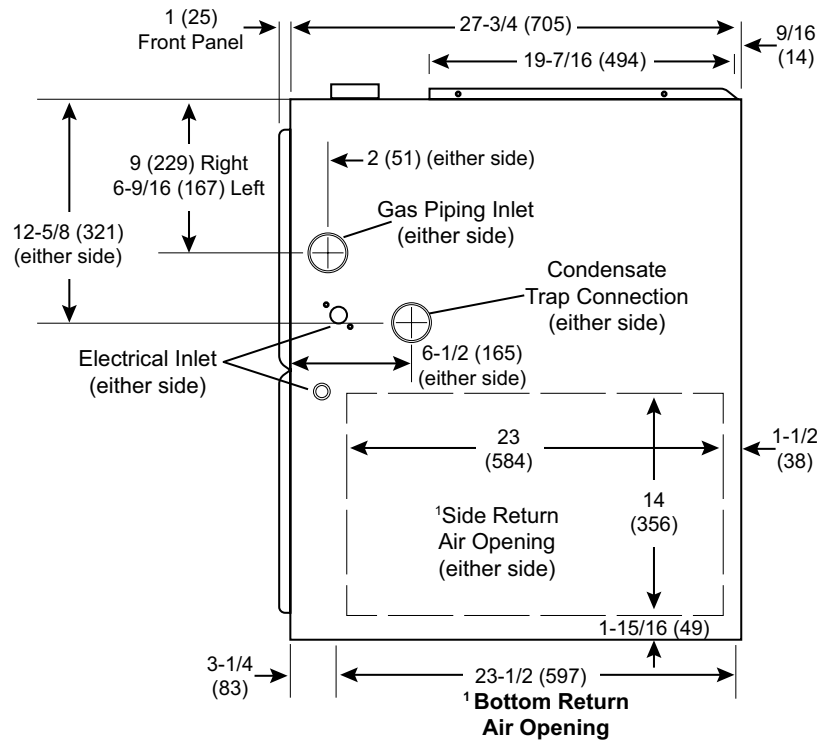
**DIMENSIONS (IN.)
UPFLOW/HORIZONTAL**



TOP VIEW



FRONT VIEW

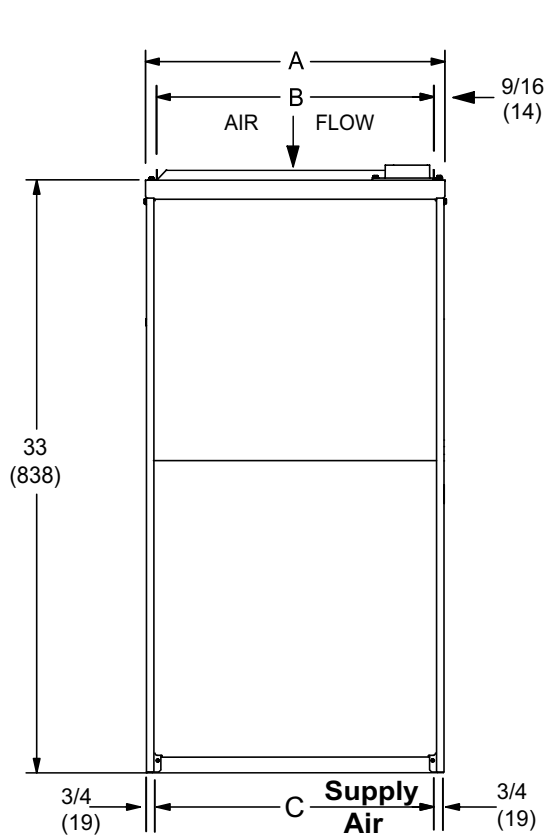
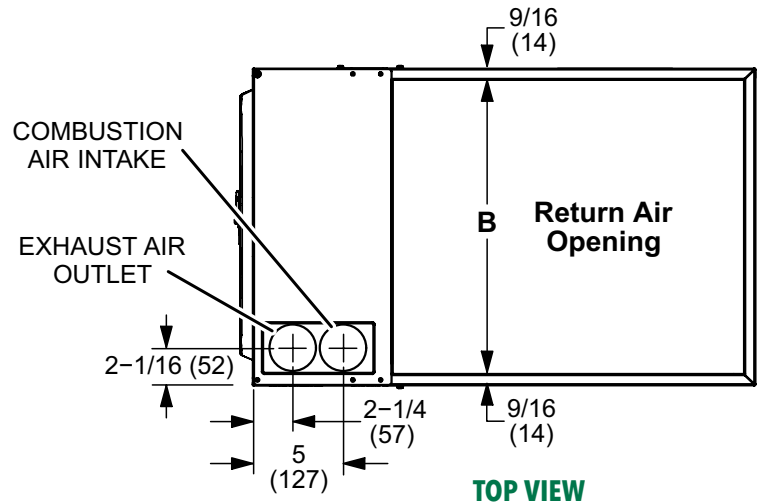


SIDE VIEW

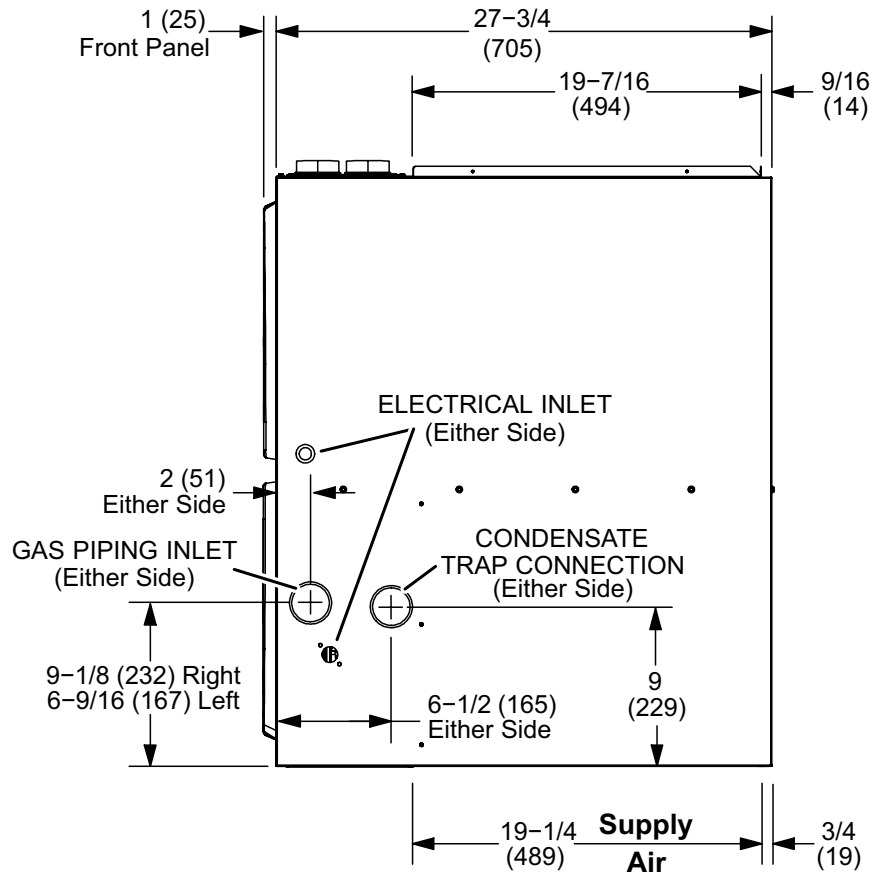
DIMENSIONS (IN.)

| | | Model | A | B | C | D |
|---------------------|--|---------------|--------|--------|--------|--------|
| UPFLOW / HORIZONTAL | | GUH96C045B3MP | 17-1/2 | 16-3/8 | 16 | 7-5/8 |
| | | GUH96C070B3MP | 17-1/2 | 16-3/8 | 16 | 7-5/8 |
| | | GUH96C090C4MP | 21 | 19-7/8 | 19-1/2 | 9-3/8 |
| | | GUH96C110C5MP | 21 | 19-7/8 | 19-1/2 | 9-3/8 |
| | | GUH96C135D5MP | 24-1/2 | 23-3/8 | 23 | 11-1/8 |

DIMENSIONS (IN.) DOWNFLOW



FRONT VIEW



SIDE VIEW

DIMENSIONS (IN.)

| | | Model | A | B | C |
|----------|--|---------------|--------|--------|--------|
| DOWNFLOW | | GDD96C045B3MP | 17-1/2 | 16-3/8 | 16 |
| | | GDD96C070B4MP | 17-1/2 | 16-3/8 | 16 |
| | | GDD96C090C4MP | 21 | 19-7/8 | 19-1/2 |
| | | GDD96C110C5MP | 21 | 19-7/8 | 19-1/2 |

ACCESSORY LIST

| PART NUMBER | DESCRIPTION |
|--|--|
| External Filter Rack kits | |
| 1.841018 | 1 pack (16 x 25) |
| 1.841039 | 10 pack (16 x 25) |
| Natural to LP Kits | |
| 11K50 | 1-Stage GUH/GDD96C |
| 11K45 | High Altitude 1-Stage > 7500ft |
| 17H62 | 30K BTUH |
| High Altitude Pressure Switch Kits | |
| 11U66 | 4,501 - 7,500 ft [030, 045] |
| 11U70 | 4,501 - 7,500 ft [070, 090, 110] |
| 11U69 | 7,501 - 10,000 ft [030, 045] |
| 11U68 | 7,501 - 10,000 ft [070] |
| 11U64 | 7,501 - 10,000 ft [090, 110] |
| Return Air Base | |
| 68W62 | 17.5" B Width |
| 68W63 | 21.0" C Width |
| 68W64 | 24.5" D Width |
| Downflow Combustible Flooring Base | |
| 11M60 | 17.5" B Width |
| 11M61 | 21.0" C Width |
| Horizontal Suspension Kit | |
| 51W10 | 80% & 90% Kit |
| Flush Mount Termination (90% Furnaces only) US Only | |
| 51W11 | 2" & 3" Vent Version |
| Concentric Vent Kit (90% Furnaces only) US Only | |
| 71M80 | 1-1/2" Vent Version |
| 69M29 | 2" Vent Version |
| 60L46 | 3" Vent Version |
| Concentric Vent Kit (90% Furnaces only) Canada | |
| 44W92 | 1-1/2" and 2" Vent Version |
| 44W93 | 3" Vent Version |
| Twinning Kit | |
| 27J32 | Recommended when furnace is used with zoning or defrost thermostats and other 24V accessories requiring a higher VA rating |
| | Circuit breaker (furnished) is wired in series |
| | Replaces the standard 40VA transformer |

Note: For vent length and clearances to combustibles, please reference installation instructions

"This product complies with all California product labeling laws including, but not limited to, the Safe Drinking Water and Toxic Enforcement Act of 1986, more commonly known as Proposition 65."

Due to ongoing product improvements, specifications and dimensions are subject to change and correction without notice or incurring obligations. Determining the application and suitability for use of any product is the responsibility of the installer. Additionally, the installer is responsible for verifying dimensional data on the actual product prior to beginning any installation preparations. Third party incentive and rebate programs have precise requirements as to product performance and certification. All products meet applicable regulations in effect on date of manufacture; however, certifications are not necessarily granted for the life of a product. Therefore, it is the responsibility of the applicant to determine whether a specific model qualifies for these incentive/rebate programs.