

SPECIFICATIONS

Refrigerant System

- Environmentally friendly R454B refrigerant
- Copper tubing with enhanced fin coils
- Internal service gauge ports
- Sleeved distributor tubes
- Antimicrobial insulated drain pan
- High and Low Threaded pressure switches for system protection

Cabinet Construction

- Heavy-gauge galvanized steel base rails with rigging holes
- Rounded corners for safety and an attractive, clean appearance
- One piece base design for strength and stability
- Condensate and coil runoff drains to the perimeter of the unit
- Horizontal and downflow duct openings are flanged to minimize water entry
- Low profile, with compact footprint
- Insulation to minimize heat loss plus reduce sound
- Textured pre-painted steel cabinet finish
- Superior service access to components
- Louvered coil guard protection
- One piece "no leak" top design

Blower

- Insulated compartment to reduce sound
- Efficient constant torque motor for wide airflow range
- Slide out blower housing for easy service

Installation

- Horizontal or down discharge capable
- Horizontal and downflow duct covers provided with unit for installation flexibility
- Drain pan float switch monitors condensate level in drain pan and shuts down unit if drain becomes clogged
- Utility connections on "right side"
- Kits enable bottom gas and power entry through base pan
- Seismic Certification (with Seismic Strapping Kit applied): Latest Edition of International Building Code, California Building Code, and ASCE 7-16

Accessories

- Clip roof curbs and adjustable pitch roof curbs available
- Electric strip heat with optional single point power entry (side entry only)
- Internal Filter kits
- Duct Adapters
- Closure kit for base rail openings

APA SERIES

ELECTRIC/ELECTRIC PACKAGED UNIT

14 SEER/13.4 SEER2



Warranty—Standard warranty or Extended warranty available with product registration. See warranty document for details or visit;

www.comfort-aire.com



MODEL NUMBER GUIDE

A	PA	24	S	1
Air Conditioner	Package Unit	Cooling Capacity BTUH x1000	Standard Efficiency	Power 208/230-1-60

ELECTRICAL AND PHYSICAL DATA

Model	Voltage	Phase	Hz	Min Volts @ 60 Hz	MCA	Max Fuse/HACR Breaker	Compressor		Blower Motor		Condenser Motor		Refrig. Charge (oz.)	Weight (lbs.)
							RLA	FLA	HP	FLA	HP			
APA24S1	208-230	1	60	195	14.8	20.0	8.8	2.8	1/3	1.0	1/6	70 oz	367	
APA30S1					17.5	25.0	11.1	2.6	1/2	1.0	1/6	73 oz	379	
APA36S1					22.9	35.0	14.3	4.1	1/2	1.0	1/6	72 oz	387	
APA42S1					26.5	40.0	16.7	3.9	3/4	1.7	1/4	86 oz	460	
APA48S1					28.7	45.0	18.0	4.5	3/4	1.7	1/4	85 oz	461	
APA60S1					39.7	60.0	24.3	7.6	1	1.7	1/4	125 oz	503	

PERFORMANCE

Model	COOLING				Sound dBA
	Rated AHRI Capacity Btuh (SEER/ SEER2)	ERR	ERR2	Rated Sensible Capacity Btuh	
APA24S1	22,600 / 22,600	14.0/11.0	13.4/10.6	17,400 / 16,900	77
APA30S1	28,400 / 28,400			21,900 / 21,800	79
APA36S1	34,000 / 33,400			26,100 / 25,700	78
APA42S1	40,000 / 40,000			30,800 / 30,800	78
APA48S1	45,500 / 44,500			35,000 / 34,200	77
APA60S1	57,000 / 57,500			41,600 / 41,900	78

Comfort-Aire®

BLOWER PERFORMANCE

Model	Blower Tap	CFM @ext. Static Pressure in in. wc without filter, dry coil									
		0.1	0.2	0.3	0.4	0.5	0.6	0.7	0.8	0.9	1.0
APA24S1	TAP 1	610	560	525	485	430	0	0	0	0	0
	TAP 2	820	795	760	720	690	650	615	575	540	470
	TAP 3	960	925	885	850	815	780	745	710	675	635
APA30S1	TAP 1	850	820	780	745	710	680	630	590	550	515
	TAP 2	1040	1000	970	935	900	875	845	815	770	735
	TAP 3	1140	1105	1075	1045	1015	1000	965	925	890	825
APA36S1	TAP 1	850	800	750	700	645	600	550	480	435	0
	TAP 2	1245	1210	1175	1140	1100	1065	1025	975	920	845
	TAP 3	1390	1355	1320	1285	1250	1205	1165	1125	1050	875
APA42S1	TAP 1	800	720	640	550	475	390	310	0	0	0
	TAP 2	1470	1410	1360	1300	1260	1210	1155	1095	1000	940
	TAP 3	1600	1555	1510	1470	1430	1390	1340	1265	1210	1155
APA48S1	TAP 1	1145	1075	1000	930	850	790	740	670	570	490
	TAP 2	1675	1630	1600	1540	1490	1440	1390	1300	1230	1125
	TAP 3	1775	1735	1700	1660	1605	1555	1515	1455	N/A	N/A
APA60S1	TAP 1	1045	970	895	820	745	665	580	480	N/A	N/A
	TAP 2	1855	1810	1770	1725	1680	1630	1595	1550	N/A	N/A
	TAP 3	1965	1920	1875	1835	1785	1750	1710	1665	1615	1570

ACCESSORY AIR RESISTANCE DATA - IN. W.G.

Air Volume cfm	Rectangular to Round Duct Adaptor Kits					
	Downflow		Horizontal			
	14 in. Diameter		14 in. Diameter		16 in. Diameter	18 in. Diameter
	24, 30, 36	42, 48, 60	24, 30, 36	42, 48, 60	42, 48, 60	42, 48, 60
500	0.03	---	0.04	---	---	---
600	0.05	---	0.07	---	---	---
700	0.08	0.13	0.08	0.13	---	---
800	0.10	0.17	0.12	0.16	---	---
900	0.12	0.21	0.15	0.21	---	---
1000	0.17	0.24	0.19	0.25	0.11	0.03
1100	0.18	0.30	0.23	0.30	0.11	0.03
1200	0.20	0.36	0.29	0.37	0.13	0.03
1300	0.26	0.43	0.31	0.43	0.17	0.03
1400	0.31	0.50	0.39	0.51	0.20	0.03
1500	---	0.57	---	0.57	0.21	0.05
1600	---	0.63	---	0.65	0.26	0.05
1700	---	0.71	---	0.72	0.30	0.06
1800	---	0.80	---	0.81	0.30	0.06
1900	---	0.91	---	0.90	0.40	0.06
2000	---	0.99	---	1.01	0.41	0.06

COOLING PERFORMANCE - EXTENDED RATINGS

Outdoor Model	Entering Wet Bulb Temp	Outdoor Temperature - DB °F																												
		85° F (29.4° C)						95° F (35° C)						105° F (40.6° C)						115° F (46.1° C)										
		Total Cooling Capacity		Sensible To Total Ratio (S/T)		Compressor Motor Watts		Total Cooling Capacity		Sensible To Total Ratio (S/T)		Compressor Motor Watts		Total Cooling Capacity		Sensible To Total Ratio (S/T)		Compressor Motor Watts		Total Cooling Capacity		Sensible To Total Ratio (S/T)		Compressor Motor Watts						
		kBtu/h	kW	75°F 23.9°C	80°F 26.7°C	85°F 29.4°C	Input	kBtu/h	kW	75°F 23.9°C	80°F 26.7°C	85°F 29.4°C	Input	kBtu/h	kW	75°F 23.9°C	80°F 26.7°C	85°F 29.4°C	Input	kBtu/h	kW	75°F 23.9°C	80°F 26.7°C	85°F 29.4°C	Input					
APA24S1	59°F (15°C)	650	305	21.4	6.3	1350	.89	1.00	1.00	1.00	20.6	6.0	1520	.91	1.00	1.00	1.00	19.8	5.8	1710	.93	1.00	1.00	1.00	18.9	5.5	1930	.96	1.00	1.00
		830	390	23.2	6.8	1350	.96	1.00	1.00	22.2	6.5	1520	.98	1.00	1.00	21.4	6.3	1720	6.3	1720	1.00	1.00	1.00	20.2	5.9	1940	1.00	1.00	1.00	
		1000	470	24.4	7.2	1340	1.00	1.00	1.00	23.4	6.9	1520	1.00	1.00	22.2	6.5	1720	6.5	1720	1.00	1.00	1.00	21.2	6.2	1940	1.00	1.00	1.00		
	63°F (17.2°C)	650	305	22.4	6.6	1350	.74	.86	.98	21.4	6.3	1520	.76	.88	1.00	20.4	6.0	1710	.77	.90	1.00	.77	.90	1.00	19.3	5.7	1930	.79	.92	1.00
		830	390	23.6	6.9	1340	.79	.93	1.00	22.6	6.6	1520	.80	.95	1.00	21.4	6.3	1720	.82	.97	1.00	.82	.97	1.00	20.2	5.9	1940	.84	1.00	1.00
		1000	470	24.6	7.2	1340	.83	.99	1.00	23.4	6.9	1520	.85	1.00	22.4	6.6	1720	.87	1.00	21.2	6.2	1940	.87	1.00	1.00	21.2	6.2	1940	.90	1.00
	67°F (19.4°C)	650	305	23.8	7.0	1340	.60	.72	.84	22.8	6.7	1520	.61	.73	.85	21.6	6.3	1720	.62	.75	.87	.62	.75	.87	20.4	6.0	1940	.63	.77	.90
		830	390	25.0	7.3	1340	.63	.77	.90	24.0	7.0	1520	.64	.78	.92	22.6	6.6	1720	.66	.81	.95	.66	.81	.95	21.4	6.3	1950	.67	.83	.98
		1000	470	26.0	7.6	1330	.66	.81	.96	24.6	7.2	1520	.68	.83	.98	23.2	6.8	1720	.69	.85	1.00	.69	.85	1.00	22.0	6.4	1950	.71	.88	1.00
	71°F (21.7°C)	650	305	25.0	7.3	1340	.46	.59	.70	23.8	7.0	1520	.47	.59	.72	22.6	6.6	1720	.47	.61	.73	.47	.61	.73	21.4	6.3	1950	.49	.62	.75
		830	390	26.4	7.7	1330	.48	.62	.75	25.2	7.4	1520	.49	.63	.76	23.8	7.0	1720	.49	.65	.79	.49	.65	.79	22.4	6.6	1950	.50	.67	.81
		1000	470	27.4	8.0	1320	.50	.65	.79	26.0	7.6	1510	.51	.67	.81	24.6	7.2	1720	.51	.68	.84	.51	.68	.84	23.2	6.8	1960	.52	.70	.86
APA30S1	59°F (15°C)	800	380	27.4	8.0	1650	.94	1.00	1.00	26.4	7.7	1870	.97	1.00	25.2	7.4	2100	.99	1.00	1.00	.99	1.00	1.00	23.8	7.0	2370	1.00	1.00	1.00	
		1000	470	29.2	8.6	1660	1.00	1.00	1.00	28.0	8.2	1880	1.00	1.00	27.0	7.9	2120	1.00	1.00	1.00	1.00	1.00	1.00	25.4	7.4	2400	1.00	1.00	1.00	
		1200	565	30.6	9.0	1660	1.00	1.00	1.00	29.4	8.6	1880	1.00	1.00	28.0	8.2	2130	1.00	1.00	1.00	1.00	1.00	1.00	26.6	7.8	2410	1.00	1.00	1.00	
	63°F (17.2°C)	800	380	28.4	8.3	1660	.78	.91	1.00	27.2	8.0	1870	.80	.93	1.00	25.6	7.5	2110	.81	.96	1.00	.81	.96	1.00	24.2	7.1	2370	.84	.99	1.00
		1000	470	29.6	8.7	1660	.84	.99	1.00	28.2	8.3	1880	.86	1.00	27.0	7.9	2120	.88	1.00	1.00	.88	1.00	1.00	25.4	7.4	2400	.91	1.00	1.00	
		1200	565	30.6	9.0	1660	.90	1.00	1.00	29.4	8.6	1880	.92	1.00	28.0	8.2	2130	.95	1.00	1.00	.95	1.00	1.00	26.6	7.8	2410	.98	1.00	1.00	
	67°F (19.4°C)	800	380	30.0	8.8	1660	.63	.76	.88	28.6	8.4	1880	.64	.78	.91	27.2	8.0	2130	.65	.80	.93	.65	.80	.93	25.6	7.5	2400	.67	.82	.96
		1000	470	31.4	9.2	1660	.67	.82	.96	29.8	8.7	1890	.68	.84	.99	28.2	8.3	2140	.69	.86	1.00	.69	.86	1.00	26.6	7.8	2410	.72	.90	1.00
		1200	565	32.2	9.4	1660	.71	.88	1.00	30.6	9.0	1890	.73	.90	1.00	29.0	8.5	2150	.74	.93	1.00	.74	.93	1.00	27.4	8.0	2430	.76	.96	1.00
	71°F (21.7°C)	800	380	31.6	9.3	1660	.49	.62	.74	30.2	8.9	1890	.50	.63	.76	28.8	8.4	2140	.50	.64	.78	.50	.64	.78	27.2	8.0	2420	.51	.66	.80
		1000	470	33.0	9.7	1660	.52	.66	.80	31.4	9.2	1890	.51	.68	.82	29.8	8.7	2150	.53	.69	.85	.53	.69	.85	28.2	8.3	2440	.54	.71	.88
		1200	565	34.0	10.0	1660	.53	.70	.86	32.4	9.5	1890	.54	.72	.88	30.6	9.0	2160	.55	.74	.91	.55	.74	.91	28.8	8.4	2440	.57	.77	.95

COOLING PERFORMANCE - EXTENDED RATINGS

Outdoor Model	Entering Wet Bulb Temp	Outdoor Temperature - DB °F																									
		85° F (29.4° C)						95° F (35° C)						105° F (40.6° C)						115° F (46.1° C)							
		Total Cooling Capacity		Sensible To Total Ratio (S/T)		Compressor Motor Watts		Total Cooling Capacity		Sensible To Total Ratio (S/T)		Compressor Motor Watts		Total Cooling Capacity		Sensible To Total Ratio (S/T)		Compressor Motor Watts		Total Cooling Capacity		Sensible To Total Ratio (S/T)		Compressor Motor Watts			
		kBtuh	kW	75°F 23.9°C	80°F 26.7°C	85°F 29.4°C	Input	kBtuh	kW	75°F 23.9°C	80°F 26.7°C	85°F 29.4°C	Input	kBtuh	kW	75°F 23.9°C	80°F 26.7°C	85°F 29.4°C	Input	kBtuh	kW	75°F 23.9°C	80°F 26.7°C	85°F 29.4°C	Input		
APA36S1	59°F (15°C)	1000	470	32.4	9.5	2010	31.4	9.2	.96	1.00	1.00	2270	30.0	8.8	.98	1.00	1.00	2570	28.6	8.4	.98	1.00	1.00	2910	28.6	8.4	
		1200	565	34.2	10.0	2010	33.0	9.7	1.00	1.00	2280	31.8	9.3	2580	30.2	8.9	1.00	1.00	2920	30.2	8.9	1.00	1.00	2920	30.2	8.9	
		1440	680	35.8	10.5	2020	34.6	10.1	1.00	1.00	2290	33.0	9.7	2580	31.6	9.3	1.00	1.00	2930	31.6	9.3	1.00	1.00	2930	31.6	9.3	
	63°F (17.2°C)	1000	470	33.8	9.9	2010	32.2	9.4	.79	.93	1.00	2280	30.8	9.0	.81	.96	1.00	1.00	2570	29.4	8.6	.83	.98	1.00	2920	29.4	8.6
		1200	565	34.8	10.2	2020	33.6	9.8	.84	.99	1.00	2280	32.0	9.4	.86	1.00	1.00	2580	30.2	8.9	.89	1.00	1.00	2920	30.2	8.9	
		1440	680	36.0	10.6	2020	34.6	10.1	.90	1.00	1.00	2290	33.0	9.7	.92	1.00	1.00	2580	31.6	9.3	.95	1.00	1.00	2930	31.6	9.3	
	67°F (19.4°C)	1000	470	35.6	10.4	2020	34.0	10.0	.64	.78	.90	2280	32.6	9.6	.65	.79	.93	2580	30.8	9.0	.66	.81	.96	2920	30.8	9.0	
		1200	565	36.8	10.8	2020	35.2	10.3	.67	.82	.97	2290	33.6	9.8	.69	.84	.99	2590	31.8	9.3	.70	.87	1.00	2930	31.8	9.3	
		1440	680	37.8	11.1	2020	36.2	10.6	.71	.88	1.00	2290	34.4	10.1	.73	.91	1.00	2590	32.4	9.5	.75	.94	1.00	2930	32.4	9.5	
	APA2S1	59°F (15°C)	1000	470	37.4	11.0	2020	36.0	10.6	.49	.63	.75	2290	34.2	10.0	.50	.64	.77	2590	32.6	9.6	.51	.66	.79	2930	32.6	9.6
1200			565	38.5	11.3	2030	37.0	10.8	.51	.66	.81	2300	35.4	10.4	.52	.68	.83	2600	33.4	9.8	.53	.70	.85	2940	33.4	9.8	
1440			680	39.5	11.6	2030	38.0	11.1	.53	.71	.86	2300	36.2	10.6	.55	.73	.89	2600	34.4	10.1	.57	.75	.92	2940	34.4	10.1	
1200		565	41.0	12.0	2490	39.5	11.6	.96	1.00	1.00	2810	37.8	11.1	.98	1.00	1.00	3160	36.4	10.7	1.00	1.00	3560	36.4	10.7			
1450		685	43.5	12.7	2480	42.0	12.3	1.00	1.00	1.00	2800	40.0	11.7	1.00	1.00	3150	38.5	11.3	1.00	1.00	3560	38.5	11.3				
63°F (17.2°C)	1750	825	45.5	13.3	2470	44.0	12.9	1.00	1.00	1.00	2790	42.0	12.3	1.00	1.00	3150	40.0	11.7	1.00	1.00	3560	40.0	11.7				
	1200	565	42.5	12.5	2490	40.5	11.9	.79	.94	1.00	2800	38.5	11.3	.81	.96	1.00	3160	36.8	10.8	.83	.98	1.00	3560	36.8	10.8		
67°F (19.4°C)	1450	685	44.0	12.9	2480	42.5	12.5	.84	.99	1.00	2800	40.0	11.7	.87	1.00	1.00	3150	38.5	11.3	.89	1.00	1.00	3560	38.5	11.3		
	1750	825	46.0	13.5	2470	44.0	12.9	.91	1.00	1.00	2790	42.0	12.3	.93	1.00	1.00	3150	40.5	11.9	.96	1.00	1.00	3560	40.5	11.9		
	1200	565	44.5	13.0	2470	43.0	12.6	.64	.78	.91	2790	41.0	12.0	.65	.79	.93	3150	39.0	11.4	.65	.81	.96	3560	39.0	11.4		
71°F (21.7°C)	1450	685	46.5	13.6	2460	44.5	13.0	.68	.83	.97	2790	42.5	12.5	.68	.85	.99	3150	40.0	11.7	.71	.87	1.00	3560	40.0	11.7		
	1750	825	48.0	14.1	2450	45.5	13.3	.72	.89	1.00	2780	43.5	12.7	.72	.92	1.00	3140	41.5	12.2	.74	.94	1.00	3560	41.5	12.2		
	1200	565	47.0	13.8	2460	45.0	13.2	.49	.63	.76	2780	43.5	12.7	.50	.64	.77	3140	41.0	12.0	.51	.66	.79	3560	41.0	12.0		
71°F (21.7°C)	1450	685	49.0	14.4	2440	47.0	13.8	.51	.67	.82	2770	44.5	13.0	.52	.68	.83	3140	42.5	12.5	.53	.69	.86	3560	42.5	12.5		
	1750	825	50.5	14.8	2430	48.0	14.1	.53	.71	.88	2760	46.0	13.5	.55	.73	.90	3130	43.5	12.7	.56	.75	.94	3550	43.5	12.7		

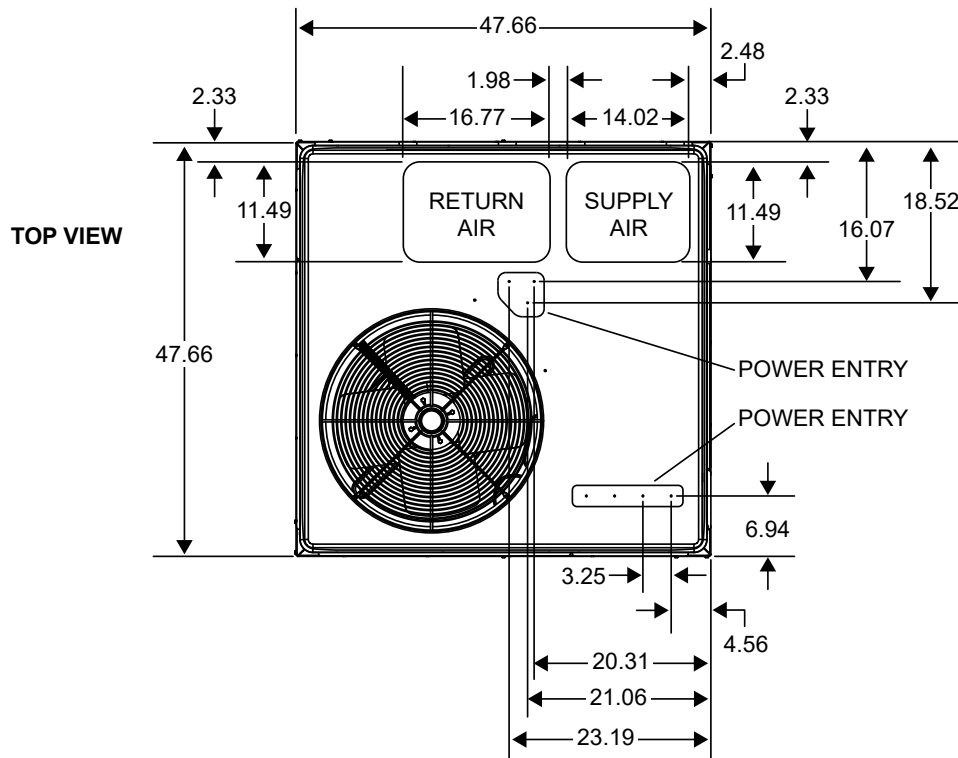
COOLING PERFORMANCE - EXTENDED RATINGS

Outdoor Model	Entering Wet Bulb Temp	Total Air Volume	Outdoor Temperature - DB °F																													
			85°F (29.4°C)				95°F (35°C)				105°F (40.6°C)				115°F (46.1°C)																	
			Total Cooling Capacity		Sensible To Total Ratio (S/T)		Compressor Motor Watts Input		Sensible To Total Ratio (S/T)		Compressor Motor Watts Input		Total Cooling Capacity		Sensible To Total Ratio (S/T)		Compressor Motor Watts Input		Total Cooling Capacity		Sensible To Total Ratio (S/T)											
			cfm	L/s	kBtuh	kW	75°F 23.9°C	80°F 26.7°C	85°F 29.4°C	Dry Bulb	75°F 23.9°C	80°F 26.7°C	85°F 29.4°C	Dry Bulb	75°F 23.9°C	80°F 26.7°C	85°F 29.4°C	Dry Bulb	75°F 23.9°C	80°F 26.7°C	85°F 29.4°C	Dry Bulb										
APA8S1	59°F (15°C)	1300	615	43.5	12.7	2590	.94	1.00	1.00	1.00	1.00	42.0	12.3	2960	.96	1.00	1.00	1.00	40.5	11.9	3370	.98	1.00	1.00	1.00	38.5	11.3	3840	1.00	1.00	1.00	
		1600	755	46.0	13.5	2600	1.00	1.00	1.00	1.00	1.00	44.5	13.0	2970	1.00	1.00	1.00	1.00	42.5	12.5	3390	1.00	1.00	1.00	1.00	40.5	11.9	3850	1.00	1.00	1.00	
		1900	895	48.0	14.1	2620	1.00	1.00	1.00	1.00	1.00	46.5	13.6	2990	1.00	1.00	1.00	1.00	44.5	13.0	3400	1.00	1.00	1.00	1.00	42.5	12.5	3860	1.00	1.00	1.00	
	63°F (17.2°C)	1300	615	45.0	13.2	2600	.77	.91	1.00	.92	.79	.92	43.5	12.7	2970	.79	.92	1.00	.92	41.0	12.0	3380	.80	.95	1.00	.95	39.0	11.4	3850	.83	.98	1.00
		1600	755	47.0	13.8	2610	.83	.98	1.00	.84	.84	1.00	45.0	13.2	2980	.84	1.00	1.00	1.00	43.0	12.6	3390	.86	1.00	1.00	1.00	41.0	12.0	3860	.89	1.00	1.00
		1900	895	48.0	14.1	2620	.88	1.00	1.00	.90	.90	1.00	46.5	13.6	2990	.90	1.00	1.00	1.00	45.0	13.2	3400	.92	1.00	1.00	1.00	42.5	12.5	3860	.95	1.00	1.00
67°F (19.4°C)	1300	615	47.5	13.9	2610	.63	.75	.88	.63	.63	.77	43.5	12.7	2980	.63	.77	.90	.77	43.5	12.7	3390	.64	.79	.92	.79	41.0	12.0	3860	.66	.81	.95	
	1600	755	49.5	14.5	2620	.66	.81	.95	.67	.67	.83	45.0	13.2	2990	.67	.83	.97	.83	45.0	13.2	3400	.69	.85	1.00	.85	43.0	12.6	3860	.70	.87	1.00	
	1900	895	51.0	14.9	2630	.70	.86	1.00	.71	.71	.88	46.5	13.6	3000	.71	.88	1.00	.88	46.5	13.6	3400	.72	.91	1.00	.91	44.0	12.9	3870	.75	.93	1.00	
71°F (21.7°C)	1300	615	50.0	14.7	2620	.48	.61	.73	.48	.49	.62	48.0	14.1	2990	.49	.62	.75	.62	46.0	13.5	3400	.49	.63	.77	.63	43.5	12.7	3860	.50	.65	.79	
	1600	755	52.0	15.2	2630	.51	.65	.79	.51	.51	.66	50.0	14.7	3000	.51	.66	.81	.66	47.5	13.9	3410	.52	.68	.83	.68	45.0	13.2	3870	.53	.70	.86	
	1900	895	53.5	15.7	2630	.53	.69	.85	.54	.54	.70	51.0	14.9	3000	.54	.70	.87	.70	48.5	14.2	3410	.54	.72	.89	.72	46.0	13.5	3870	.56	.74	.92	
59°F (15°C)	1450	685	55.5	16.3	3470	.89	1.00	1.00	.89	.89	1.00	54.0	15.8	3920	.91	1.00	1.00	1.00	51.5	15.1	4430	.93	1.00	1.00	1.00	49.5	14.5	5020	.95	1.00	1.00	
	1800	850	60.0	17.6	3490	.96	1.00	1.00	.96	.96	1.00	57.5	16.9	3950	.98	1.00	1.00	1.00	55.0	16.1	4460	1.00	1.00	1.00	1.00	53.0	15.5	5060	1.00	1.00	1.00	
	2100	990	62.5	18.3	3500	1.00	1.00	1.00	1.00	1.00	1.00	60.0	17.6	3960	1.00	1.00	1.00	1.00	58.0	17.0	4480	1.00	1.00	1.00	1.00	55.0	16.1	5080	1.00	1.00	1.00	
63°F (17.2°C)	1450	685	58.5	17.1	3490	.74	.86	.98	.74	.76	.88	56.5	16.6	3940	.76	.88	1.00	.88	54.0	15.8	4440	.77	.90	1.00	.90	51.0	14.9	5030	.79	.93	1.00	
	1800	850	61.5	18.0	3500	.79	.93	1.00	.79	.81	.95	58.5	17.1	3950	.81	.95	1.00	.95	56.0	16.4	4470	.82	.98	1.00	.98	53.5	15.7	5060	.85	1.00	1.00	
	2100	990	63.5	18.6	3510	.83	.98	1.00	.83	.85	1.00	60.5	17.7	3960	.85	1.00	1.00	1.00	57.5	16.9	4480	.87	1.00	1.00	1.00	55.5	16.3	5080	.90	1.00	1.00	
67°F (19.4°C)	1450	685	61.5	18.0	3500	.60	.72	.83	.60	.61	.73	59.5	17.4	3960	.61	.73	.85	.73	56.5	16.6	4470	.62	.75	.87	.75	53.5	15.7	5060	.63	.77	.89	
	1800	850	65.0	19.0	3510	.64	.77	.90	.64	.65	.79	61.5	18.0	3970	.65	.79	.92	.79	59.5	17.4	4490	.66	.81	.95	.81	56.0	16.4	5090	.67	.83	.98	
	2100	990	66.5	19.5	3520	.67	.81	.96	.67	.68	.83	64.0	18.8	3980	.68	.83	.99	.83	60.5	17.7	4500	.69	.86	1.00	.86	57.5	16.9	5100	.71	.88	1.00	
71°F (21.7°C)	1450	685	65.0	19.0	3510	.47	.59	.70	.47	.48	.60	62.5	18.3	3970	.48	.60	.71	.60	59.5	17.4	4490	.48	.61	.73	.61	56.5	16.6	5090	.49	.62	.75	
	1800	850	67.5	19.8	3520	.49	.63	.75	.49	.50	.64	65.5	19.2	3990	.50	.64	.77	.64	62.0	18.2	4510	.50	.65	.79	.65	59.0	17.3	5120	.52	.67	.81	
	2100	990	69.5	20.4	3530	.51	.66	.80	.51	.52	.67	67.0	19.6	4000	.52	.67	.82	.67	63.5	18.6	4520	.53	.69	.84	.69	60.5	17.7	5130	.54	.71	.86	

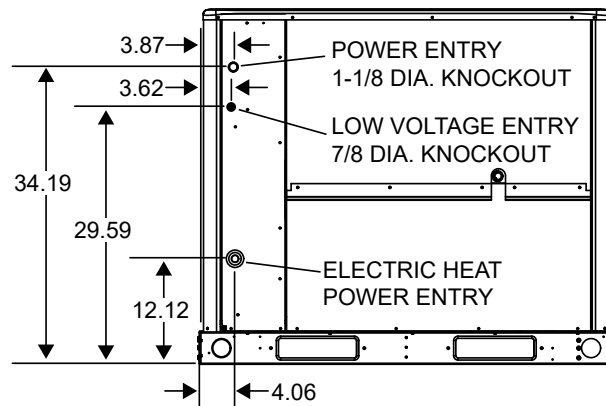
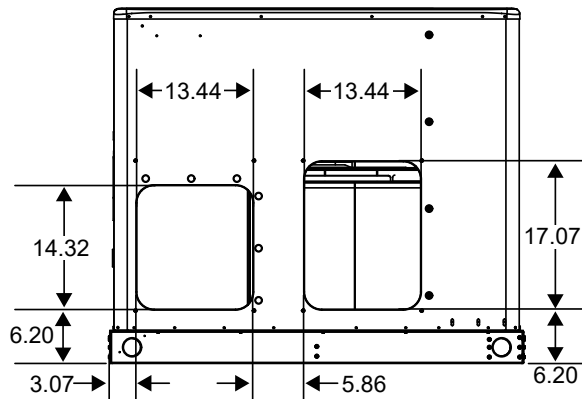
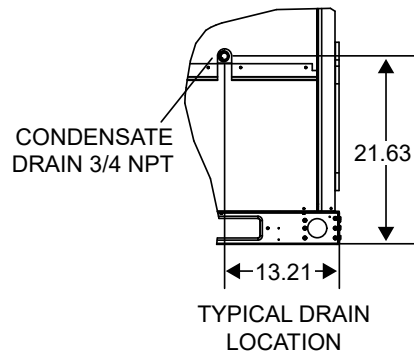
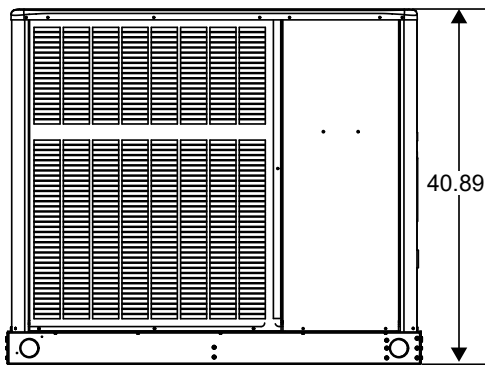
HEAT STRIP ELECTRICAL

Model	Heater Size	Heater Model	Min BLW Speed	AMPS 240V	AMPS 208V	Input kw 240V	Input kw 208V	Circuit 1 240V		Circuit 1 208V		Circuit 2 240V		CIRCUIT 2 208V		SINGLE CIRCUIT 240V		SINGLE CIRCUIT 208V			
								MCA	MAX FUSE	MCA	MAX FUSE	MCA	MAX FUSE	MCA	MAX FUSE	MCA	MAX FUSE	MCA	MAX FUSE	MCA	MAX FUSE
APA24S1	5KW	PHK05BP-1	Tap 4	20.8	18.1	5	3.8	29.5	30.0	26.1	30.0	0.0	-	0.0	-	29.5	30.0	26.1	30.0		
	7.5KW	PHK07BP-1	Tap 4	31.3	27.1	7.5	5.6	42.6	45.0	37.4	40.0	0.0	-	0.0	-	42.6	45.0	37.4	40.0		
	10KW	PHK10BP-1	Tap 4	41.7	36.1	10	7.5	55.6	60.0	48.6	50.0	0.0	-	0.0	-	55.6	60.0	48.6	50.0		
APA30S1	5KW	PHK05BP-1	Tap 4	20.8	18.1	5	3.8	29.3	30.0	25.8	30.0	0.0	-	0.0	-	29.3	30.0	25.8	30.0		
	7.5KW	PHK07BP-1	Tap 4	31.3	27.1	7.5	5.6	42.3	45.0	37.1	40.0	0.0	-	0.0	-	42.3	45.0	37.1	40.0		
	10KW	PHK10BP-1	Tap 4	41.7	36.1	10	7.5	55.3	60.0	48.4	50.0	0.0	-	0.0	-	55.3	60.0	48.4	50.0		
APA36S1	5KW	PHK05BP-1	Tap 4	20.8	18.1	5	3.8	31.2	35.0	27.7	30.0	0.0	-	0.0	-	31.2	35.0	27.7	30.0		
	7.5KW	PHK07BP-1	Tap 4	31.3	27.1	7.5	5.6	44.2	45.0	39.0	40.0	0.0	-	0.0	-	44.2	45.0	39.0	40.0		
	10KW	PHK10BP-1	Tap 4	41.7	36.1	10	7.5	57.2	60.0	50.3	50.0	0.0	-	0.0	-	57.2	60.0	50.3	60.0		
	15KW	PHK15BP-1	Tap 4	62.5	54.2	15	11.3	57.2	60.0	50.3	60.0	26.0	30.0	22.6	25.0	83.3	90.0	72.8	80.0		
APA42S1	5KW	PHK05BP-1	Tap 4	20.8	18.1	5	3.8	30.9	35.0	27.4	30.0	0.0	-	0.0	-	30.9	35.0	27.4	30.0		
	7.5KW	PHK07BP-1	Tap 4	31.3	27.1	7.5	5.6	43.9	45.0	38.7	40.0	0.0	-	0.0	-	43.9	45.0	38.7	40.0		
	10KW	PHK10BP-1	Tap 4	41.7	36.1	10	7.5	57.0	60.0	50.0	60.0	0.0	-	0.0	-	57.0	60.0	50.0	60.0		
	15KW	PHK15BP-1	Tap 4	62.5	54.2	15	11.3	57.0	60.0	50.0	60.0	26.0	30.0	22.6	25.0	83.0	90.0	72.6	80.0		
	20KW	PHK20BP-1	Tap 4	83.3	72.2	20	15	57.0	60.0	50.0	60.0	52.1	60.0	45.1	50.0	109.0	110.0	95.2	100.0		
APA48S1	5KW	PHK05BP-1	Tap 4	20.8	18.1	5	3.8	31.7	35.0	28.2	30.0	0.0	-	0.0	-	31.7	35.0	28.2	30.0		
	7.5KW	PHK07BP-1	Tap 4	31.3	27.1	7.5	5.6	44.7	45.0	39.5	40.0	0.0	-	0.0	-	44.7	45.0	39.5	40.0		
	10KW	PHK10BP-1	Tap 4	41.7	36.1	10	7.5	57.7	60.0	50.8	60.0	0.0	-	0.0	-	57.7	60.0	50.8	60.0		
	15KW	PHK15BP-1	Tap 4	62.5	54.2	15	11.3	57.7	60.0	50.8	60.0	26.0	30.0	22.6	25.0	83.8	90.0	73.3	80.0		
	20KW	PHK20BP-1	Tap 4	83.3	72.2	20	15	57.7	60.0	50.8	60.0	52.1	60.0	45.1	50.0	109.8	110.0	95.9	100.0		
APA60S1	5KW	PHK05BP-1	Tap 4	20.8	18.1	5	3.8	35.5	40.0	32.1	35.0	0.0	-	0.0	-	39.7	60.0	39.7	60.0		
	7.5KW	PHK07BP-1	Tap 4	31.3	27.1	7.5	5.6	48.6	50.0	43.4	45.0	0.0	-	0.0	-	48.6	50.0	43.4	45.0		
	10KW	PHK10BP-1	Tap 4	41.7	36.1	10	7.5	61.6	70.0	54.6	60.0	0.0	-	0.0	-	61.6	70.0	54.6	60.0		
	15KW	PHK15BP-1	Tap 4	62.5	54.2	15	11.3	61.6	70.0	54.6	60.0	26.0	30.0	22.6	25.0	87.6	90.0	77.2	80.0		
	20KW	PHK20BP-1	Tap 4	83.3	72.2	20	15	61.6	70.0	54.6	60.0	52.1	60.0	45.1	50.0	113.7	125.0	99.8	100.0		

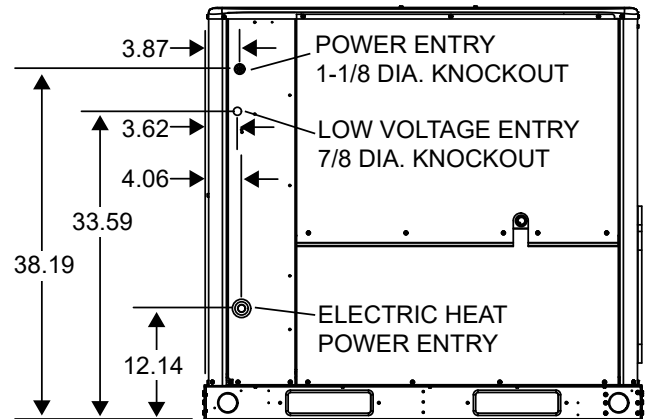
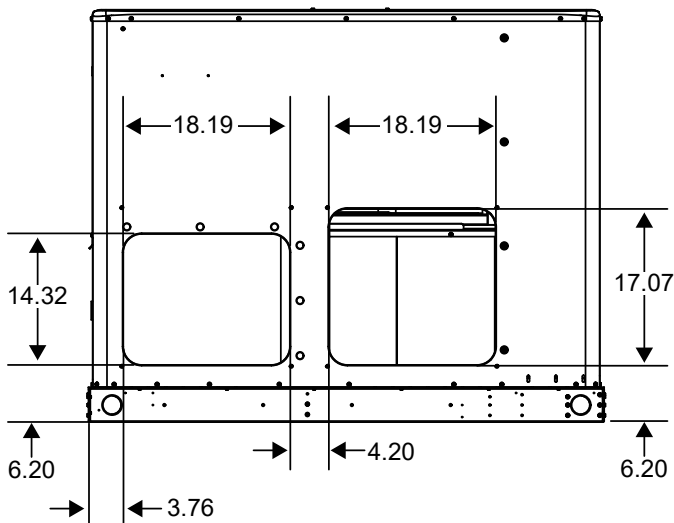
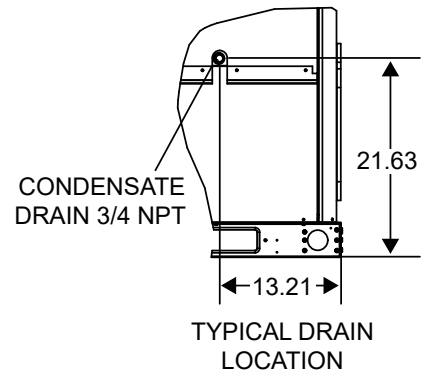
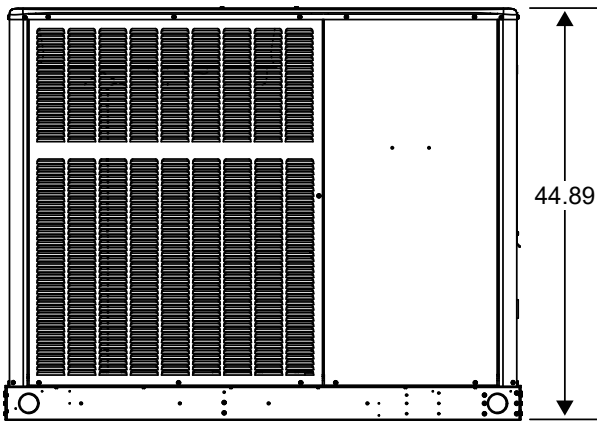
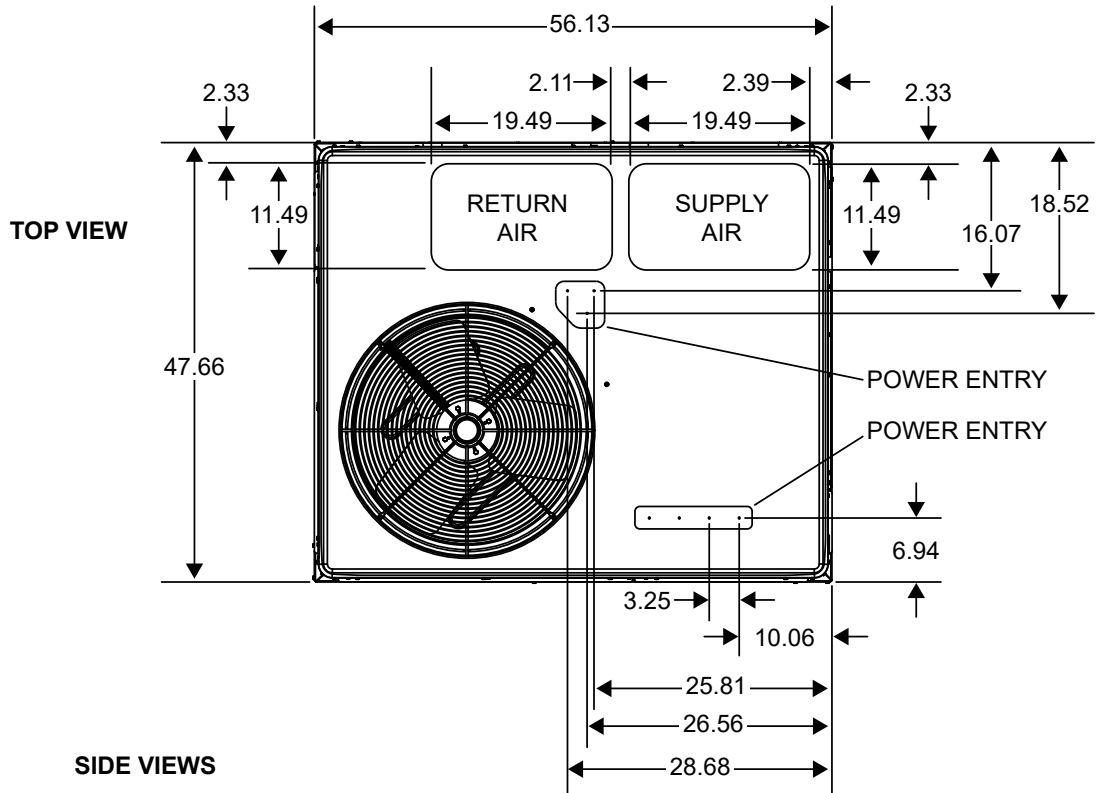
DIMENSIONS (IN.) - SMALL BASE



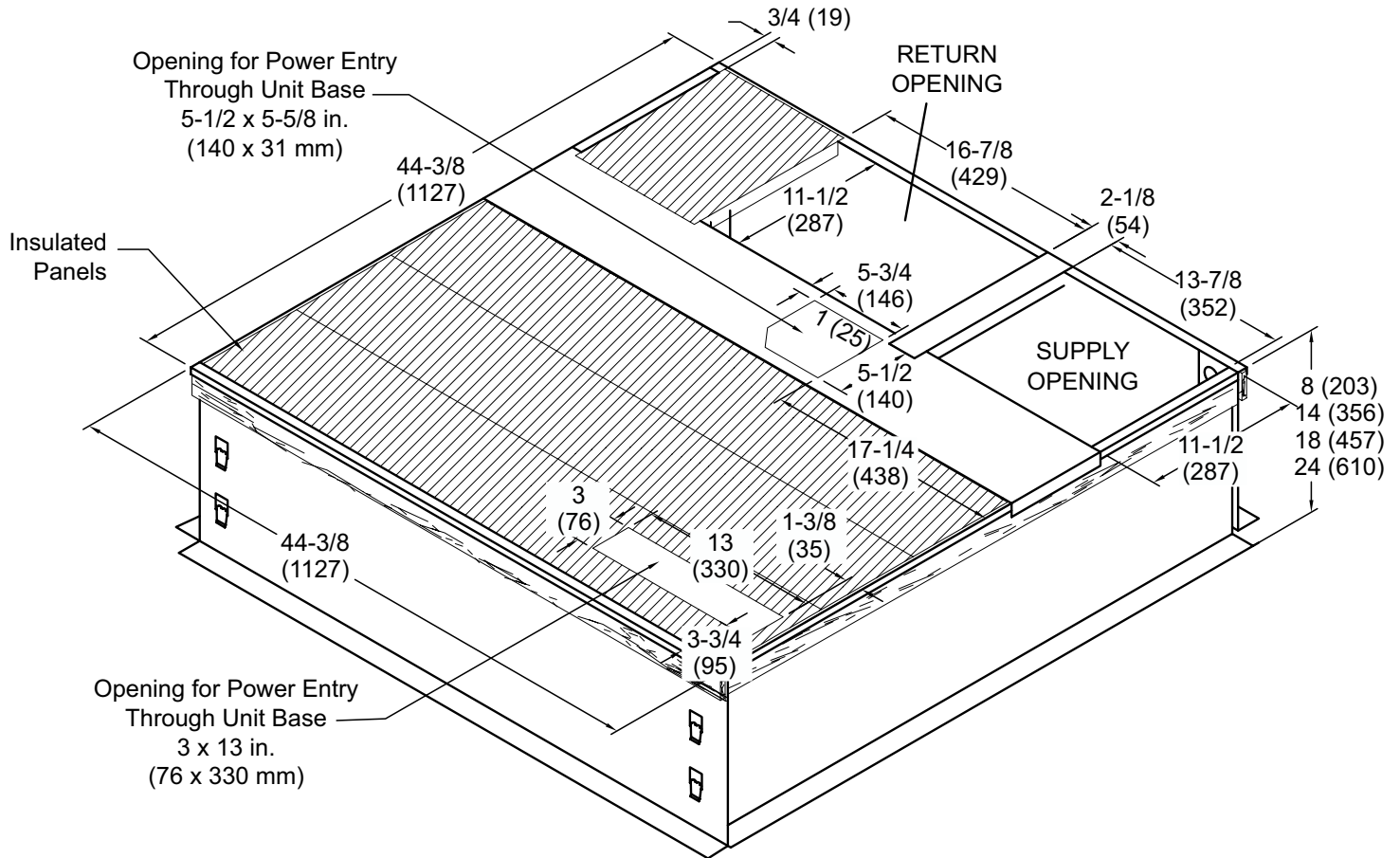
SIDE VIEWS



DIMENSIONS (IN.) - LARGE BASE



DIMENSIONS (IN.) - SMALL BASE



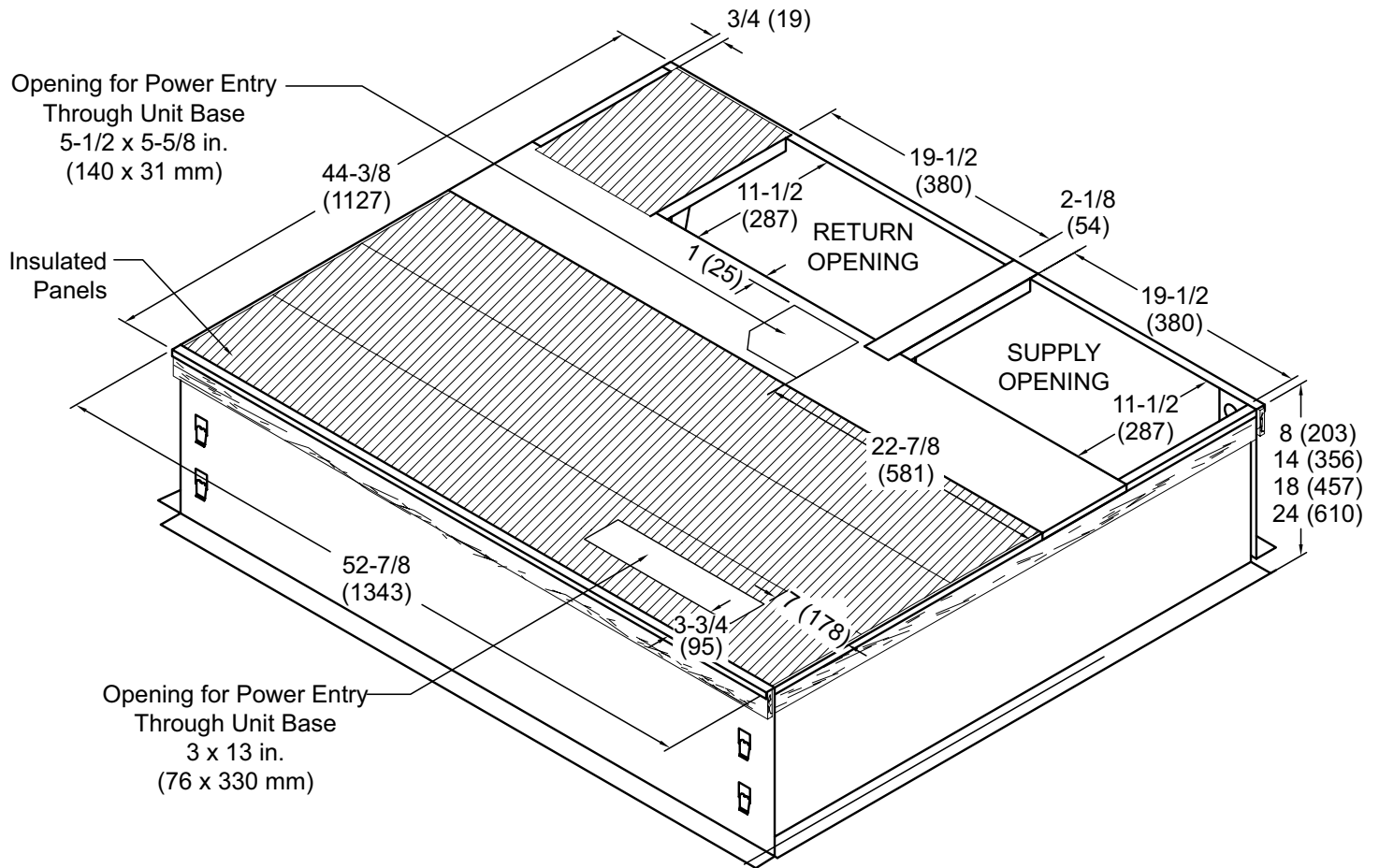
NOTE - Roof deck may be omitted within confines of curb

NOTE - All Curbs:

- IBC 2018 compliant
- CBC 2019 compliant
- Seismic rating - SDS 2.0g z/h=1 Ip=1.5
- Wind rating - 240 mph (Lateral), 214 mph (Uplift)
- Maximum load rating - 800 lbs.
- Tool-less filter access panels NOT for seismic-rated applications

Comfort-Cure®

DIMENSIONS (IN.) - LARGE BASE

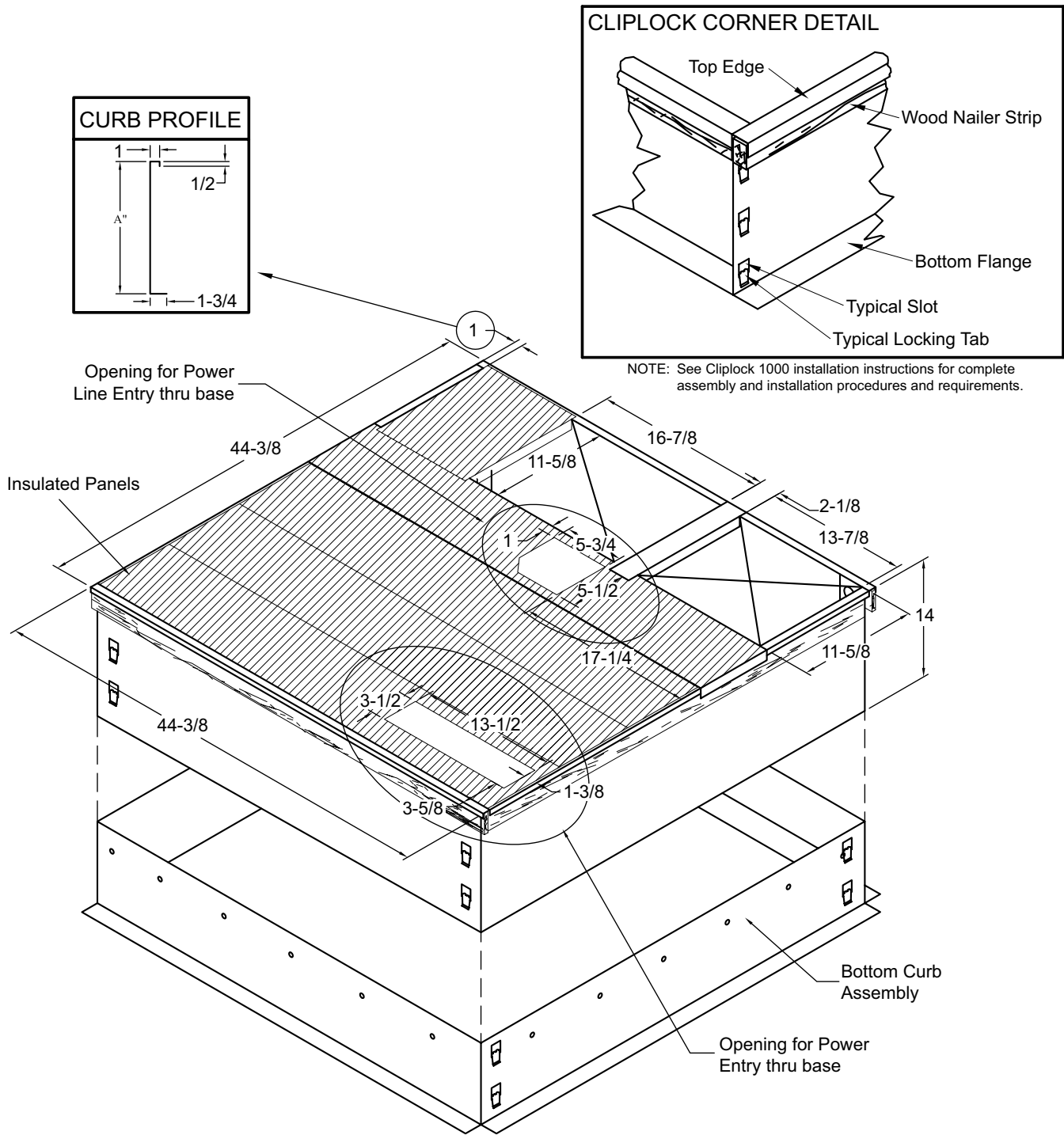


NOTE - Roof deck may be omitted within confines of curb

NOTE - All Curbs:

- IBC 2018 compliant
- CBC 2019 compliant
- Seismic rating - SDS 2.0g z/h=1 Ip=1.5
- Wind rating - 240 mph (Lateral), 214 mph (Uplift)
- Maximum load rating - 800 lbs.
- Tool-less fliter access panels NOT for seismic-rated applications

ADJUSTABLE CURB (KNOCK-DOWN STYLE) DIMENSIONS - SMALL BASE

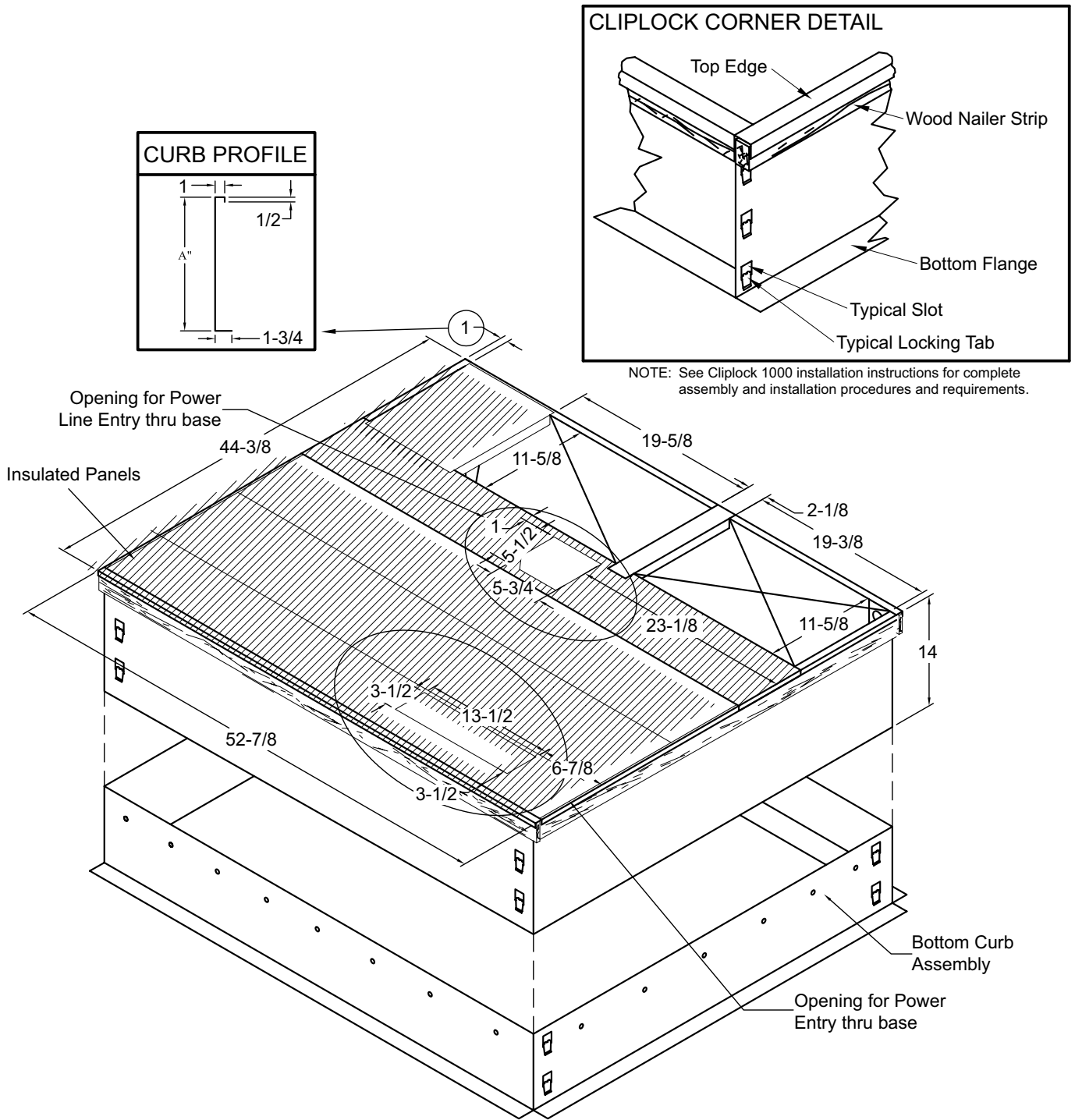


NOTE - Roof deck may be omitted within confines of curb

NOTE - All Curbs:

- IBC 2018 compliant
- CBC 2019 compliant
- Seismic rating - SDS 2.0g z/h=1 Ip=1.5
- Wind rating - 240 mph (Lateral), 214 mph (Uplift)
- Maximum load rating - 800 lbs.
- Tool-less fliter access panels NOT for seismic-rated applications

ADJUSTABLE CURB (KNOCK-DOWN STYLE) DIMENSIONS - LARGE BASE

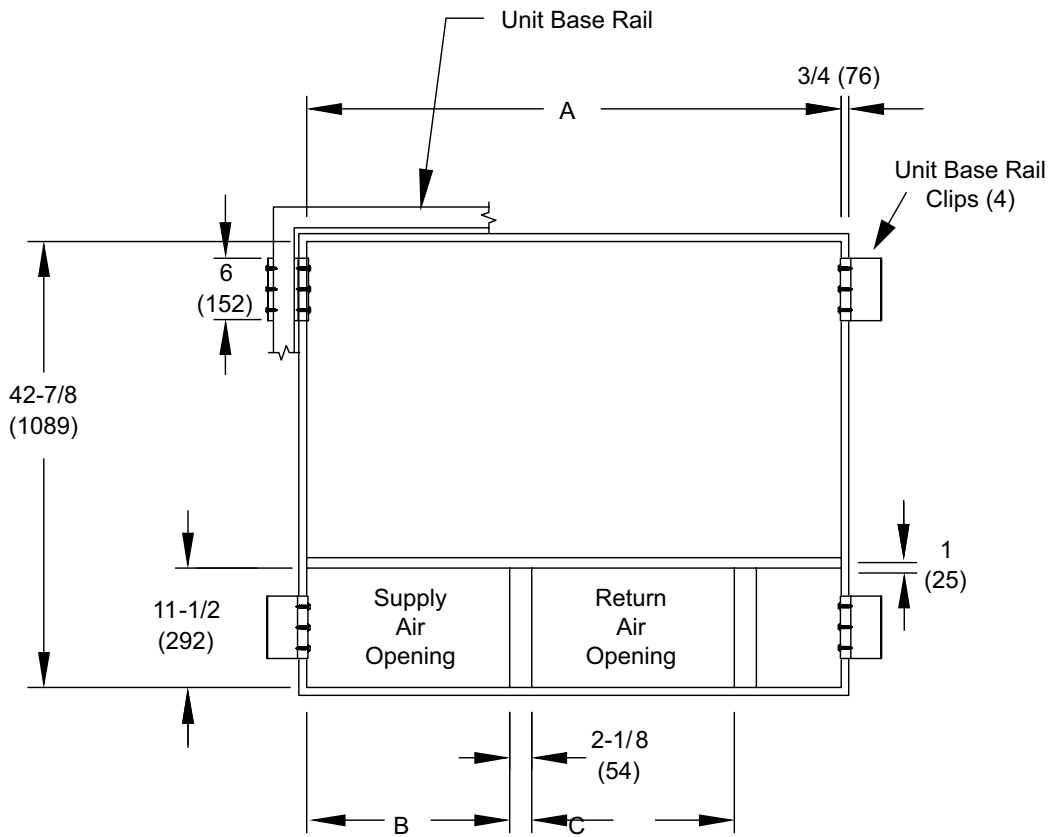
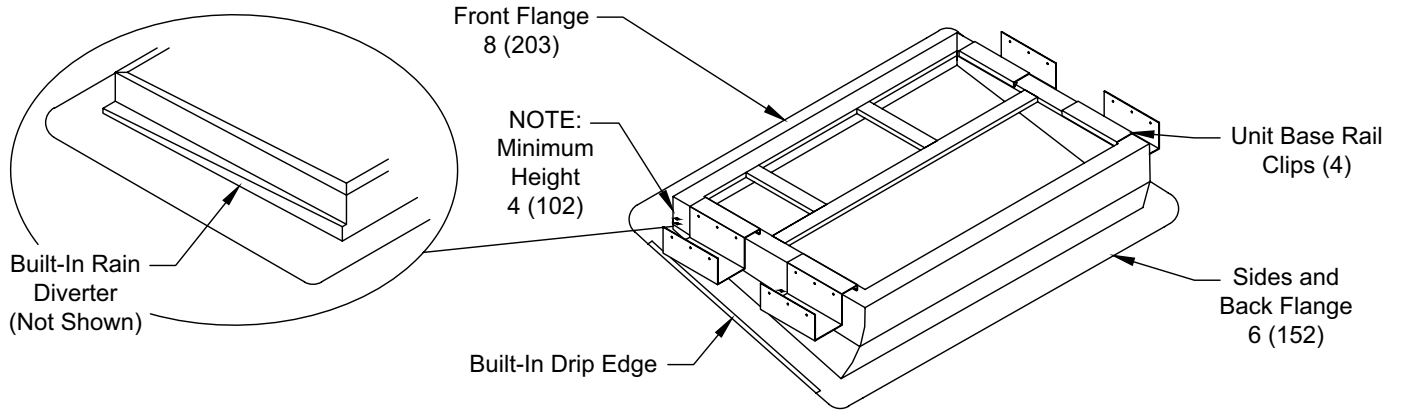


NOTE - Roof deck may be omitted within confines of curb

NOTE - All Curbs:

- IBC 2018 compliant
- CBC 2019 compliant
- Seismic rating - SDS 2.0g z/h=1 I_p=1.5
- Wind rating - 240 mph (Lateral), 214 mph (Uplift)
- Maximum load rating - 800 lbs.
- Tool-less filter access panels NOT for seismic-rated applications

ADJUSTABLE CURB (WELDED STYLE) DIMENSIONS



Usage	A		B		C	
	in.	mm.	in.	mm.	in.	mm.
24,30,36	42-7/8	1089	13-7/8	352	16-7/8	429
42,48,60	51-3/8	1305	19-1/2	495	19-1/2	495

ACCESSORIES

Description		Where Used	Kit Number
Compressor Crankcase Heater		36, 42	27U17
		48, 60	27P79
Compressor Hard Start Kit		24, 30, 36	10J42
		42, 48, 60	88M91
Compressor Timed-Off Control		All	47J28
Low Ambient Kit		All	21D20
Electric Heater 5kW - PHK05BP		All	10W47
Electric Heater 7.5kW - PHK07BP		All	10W48
Electric Heater 10kW - PHK10BP		All	10W49
Electric Heater 15kW - PHK15BP		36, 42, 48, 60	10W50
Electric Heater 20kW - PHK20BP		42, 48, 60	10W51
Internal Filter Rack Kit		24, 30, 36	11U73
		42, 48, 60	11U74
8" Height Full Perimeter Curb		24, 30, 36	21J13
		42, 48, 60	21J17
14" Height Full Perimeter Curb		24, 30, 36	21J14
		42, 48, 60	21J19
18" Height Full Perimeter Curb		24, 30, 36	21J15
		42, 48, 60	21J20
24" Height Full Perimeter Curb		24, 30, 36	21J16
		42, 48, 60	21J25
Adjustable Pitch Roof Curb (Knock-Down Style)		24, 30, 36	21J26
		42, 48, 60	21U04
Adjustable Pitch Roof Curb (Welded Style)		24, 30, 36	22V54
		42, 48, 60	22V55
Strapping Kit - Hurricane		Slab	21J74
		Rail	22G53
Strapping Kit - Seismic		All	21J75
Duct Adapter Kit - Horizontal	14 in. dia.	All	21J75
	14 in. dia.	24, 30, 36	21J92
	16 in. dia.	42, 48, 60	22U78
	18 in. dia.	42, 48, 60	22U79
Duct Adapter Kit - Downflow	14 in. dia.	24, 30, 36	20X82
	14 in. dia.	42, 48, 60	21D26
Bottom Power Entry Kit		All	21J78
Base Rail Openings - Closure Kit		All	21J84
Single Point Power - 5kW ASPWR813-1		All	13W88
Single Point Power - 7.5kW ASPWR814-1		All	13W89
Single Point Power - 10kW ASPWR815-1		All	13W90
Single Point Power - 15-20kW ASPWR816-1		36, 42, 48, 60	13W91

"This product complies with all California product labeling laws including, but not limited to, the Safe Drinking Water and Toxic Enforcement Act of 1986, more commonly known as Proposition 65."

Due to ongoing product improvements, specifications and dimensions are subject to change and correction without notice or incurring obligations. Determining the application and suitability for use of any product is the responsibility of the installer. Additionally, the installer is responsible for verifying dimensional data on the actual product prior to beginning any installation preparations.

Third party incentive and rebate programs have precise requirements as to product performance and certification. All products meet applicable regulations in effect on date of manufacture; however, certifications are not necessarily granted for the life of a product. Therefore, it is the responsibility of the applicant to determine whether a specific model qualifies for these incentive/rebate programs.