
Comfort-Cire®

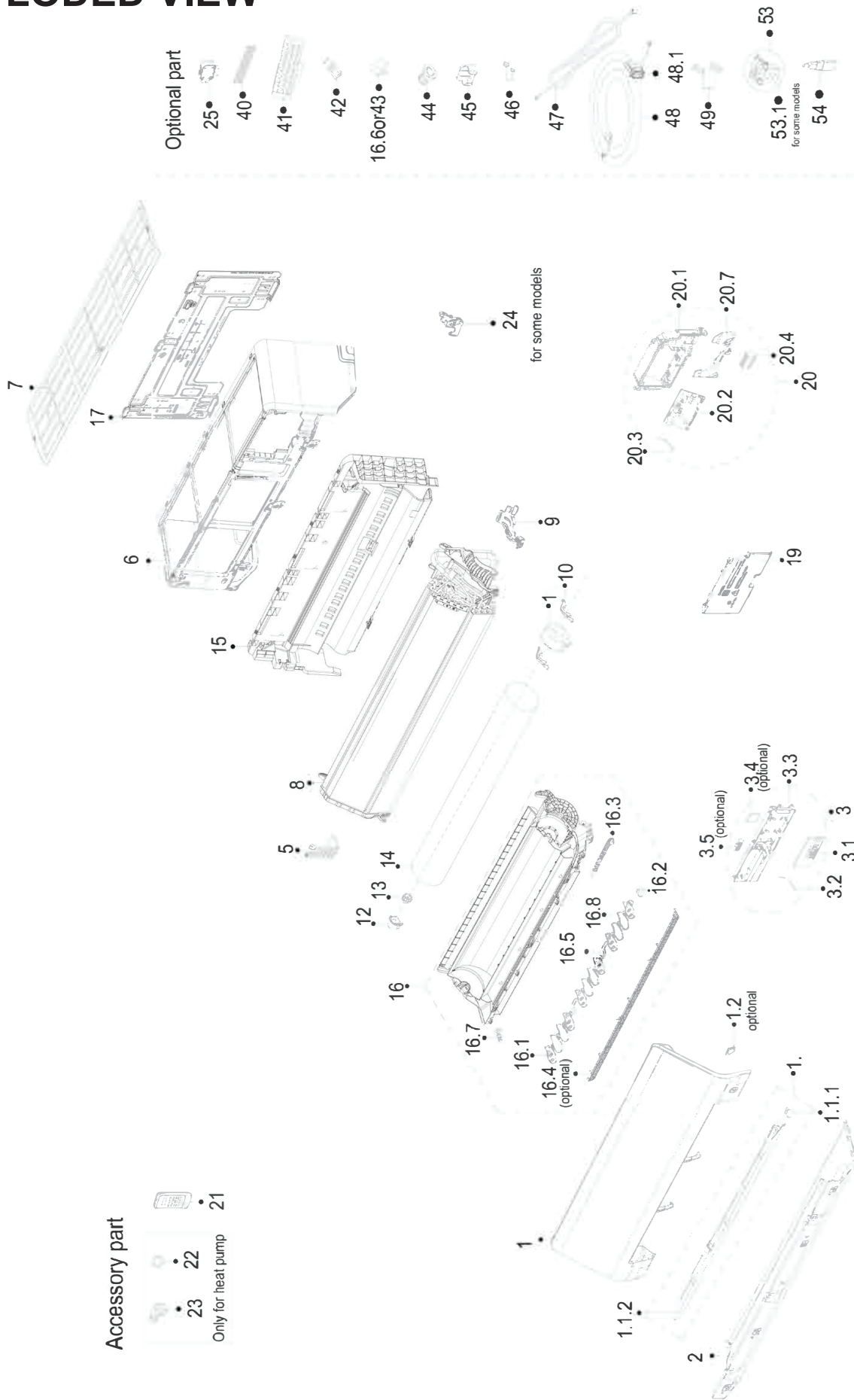
Century®

REPLACEMENT PARTS LIST

**Inverter Single Zone Outdoor
Ductless Mini Split**

B-VMH33SV-1

EXPLODED VIEW



REPLACEMENT PARTS

Location	Part Name	Quantity	Part No.
1	Panel assembly	1	12122000A86876
1.1	Panel assembly	1	12122000A85076
1.1.1	Stepper Motor	1	11002010000326
1.1.2	Horizontal louver	1	12122000A85061
2	Panel assembly	1	12122000A83283
3	Display box subassembly	1	17222000A67573
3.1	Display board subassembly	1	17122000058356
3.2	Room Temperature Sensor	1	11201007003103
3.3	Display box	1	12122000026921
3.5	Adapter plate subassembly	1	17122000A38570
5	Chassis support I	1	12122000027407
6	Panel frame assembly	2	12122000A85043
7	Filter Assembly	1	12122000027419
8	Evaporator assembly	1	15822000013946
9	pipe clamp board	1	12122000027408
10	Fixing board of fan motor	1	12122000012959
11	Brushless DC Motor	1	11002015017613
12	Bearing Sleeve	1	12122000000350
13	Bearing Block Assembly	6	12622000000131
14	Cross Flow Fan	1	12100102000716
15	Chassis Assembly(Above)	1	12122000027405
16	Chassis assembly(below)	1	12122000027841
16.1	Horizontal louver	1	12122000027423
16.2	Stepper Motor	1	11002010001486
16.3	Drain Hose	1	12100501000032
16.4	Protective wire	1	12922000002131
16.5	Connecting rod of louver	1	12122000027422
16.7	Drainage plug	1	12622000000030
17	Installation plate subassembly	1	12222000A06972
19	Cover of Electronic Control Box Subassembly	1	12122000027418
20	Electronic control box subassembly (Mid-and low-end)	1	17222000041387
20.1	Electronic control box subassembly	1	12122000027403
20.2	Main control board subassembly	1	17122000059775
20.3	Pipe Temperature Sensor	1	11201007003444
20.4	Wire Joint	1	17400401000577
20.7	Electrical Control Box holder	2	12122000027404
21	Remote controller	1	17317000A63584
22	Sealing Ring	1	12600701000039
23	Water Outlet Pipe	1	121005090000061
40	Air Freshening Filter	1	121002060000056
42	Pin Valve	1	155002090000002
45	Bracket of Remote Controller	1	12122000029201
46	Flare Nut	1	155004060000008
46	Flare Nut	1	155004060000010
54	WIFI module subassembly	1	17310900A07443

Due to ongoing product improvements, specifications and dimensions are subject to change and correction without notice or incurring obligations. Determining the application and suitability for use of any product is the responsibility of the installer. Additionally, the installer is responsible for verifying dimensional data on the actual product prior to beginning any installation preparations.

Incentive and rebate programs have precise requirements as to product performance and certification. All products meet applicable regulations in effect on date of manufacture; however, certifications are not necessarily granted for the life of a product. Therefore, it is the responsibility of the applicant to determine whether a specific model qualifies for these incentive/rebate programs.



1900 Wellworth Ave., Jackson, MI 49203 • Ph. 517-787-2100 • www.comfort-aire.com • www.century-hvac.com