

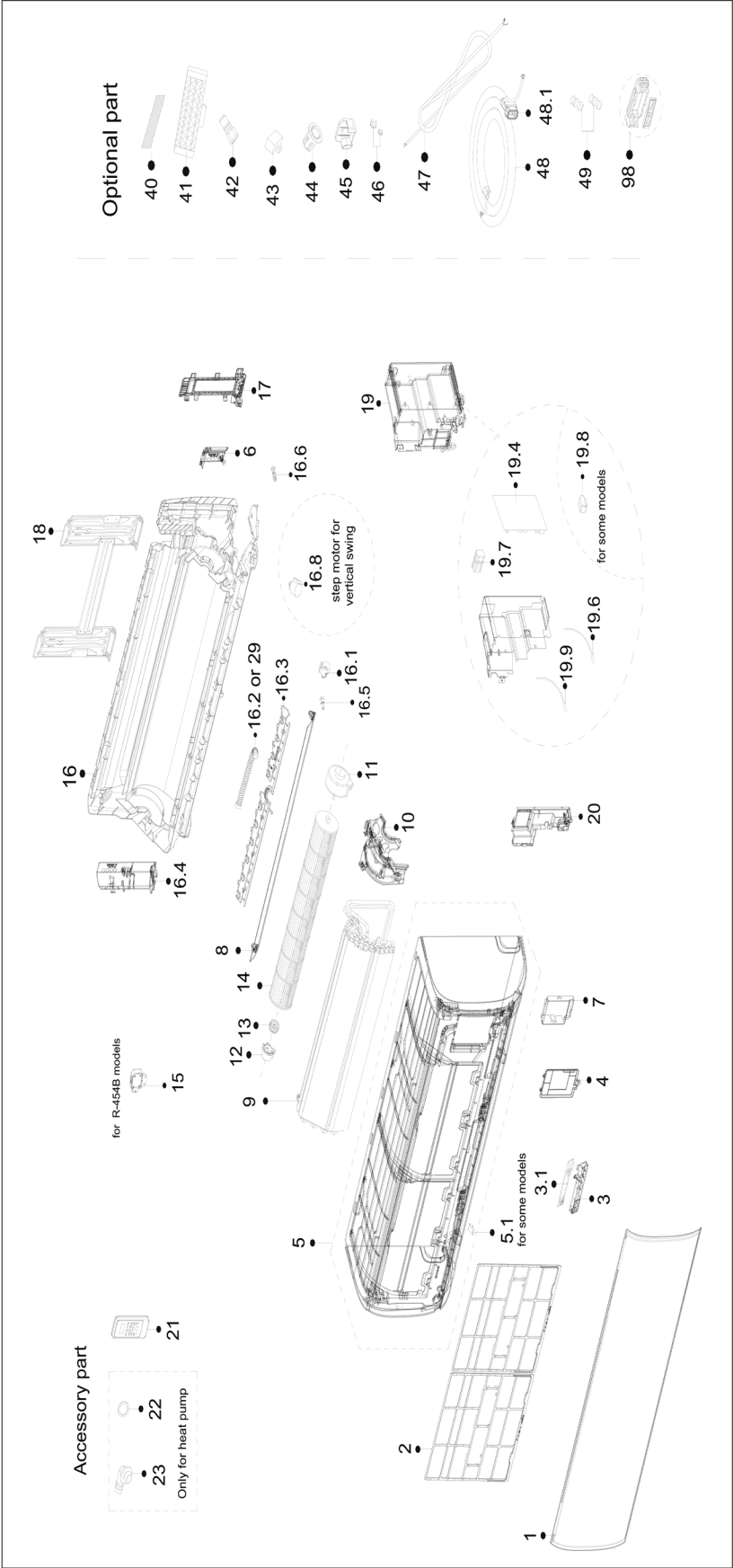


REPLACEMENT PARTS LIST

**Single Zone Ductless Mini-Split  
with Inverter Technology**

B-SSP09SA-1

# EXPLODED VIEW



# REPLACEMENT PARTS

Location	Part Name	Quantity	Part No.
1	Panel assembly	1.0	12122000A57212
2	Air filter	2.0	12122000015224
3	Display box assembly	1.0	17222000043475
3.1	Display board assembly	1.0	17122000063108
4	Cover for electrical parts	1.0	12122000013131
5	Panel frame assembly	1.0	12122000013170
5.1	Screw cover	2.0	12122000013139
6	Right cover of chassis	1.0	12122000013140
7	Cover of wiring terminal subassembly	1.0	12122000013141
8	Horizontal louver	1.0	12122000013168
9	evaporator assembly	1.0	15822000015391
10	Cover, fan motor	1.0	12122000013129
11	Motor	1.0	11002012001871
12	bearing holder	1.0	12122000000350
13	bearing base	1.0	12622000000131
14	Cross flow fan	1.0	12100102000044
15	Gas sensor	1.0	11201003000364
16	Chassis assembly	1.0	12122000035142
16.1	Stepper motor	1.0	11002010000143
16.2	Drain pipe joint	1.0	12100501000032
16.3	louver assembly	1.0	12122000013167
16.4	Left cover of chassis	1.0	12122000013123
16.5	Insulated axis	1.0	12122000000344
16.6	Drainage plug	1.0	12622000000030
17	Pipe clamp board	1.0	12122000013136
18	Installation plate	1.0	12222000A03012
19	Structural components of indoor electric control box	1.0	17222000043605
19.4	Indoor main control board subassembly	1.0	17122000063303
19.6	Pipe temperature sensor subassembly	1.0	11201007003447
19.7	Terminal block	1.0	17400401000006
19.9	Ambient temperature sensor subassembly	1.0	11201007003424
20	Cover of electronic control box	1.0	12122000013132
21	remote controller	1.0	17317000012079
40	Air freshening filter	1.0	12100204000685
42	Detection valve	1.0	15500209000001
46	Copper nut	1.0	15500406000016
46	Copper nut	1.0	15500406000010

---

Due to ongoing product improvements, specifications and dimensions are subject to change and correction without notice or incurring obligations. Determining the application and suitability for use of any product is the responsibility of the installer. Additionally, the installer is responsible for verifying dimensional data on the actual product prior to beginning any installation preparations.

Incentive and rebate programs have precise requirements as to product performance and certification. All products meet applicable regulations in effect on date of manufacture; however, certifications are not necessarily granted for the life of a product. Therefore, it is the responsibility of the applicant to determine whether a specific model qualifies for these incentive/rebate programs.

*Comfort-Aire*®  **Century**®

1900 Wellworth Avenue • Jackson, MI 49203 • 517-787-2100