

Submittal Data



A-VMH18SU-1B Outdoor Unit

Project Name:	
Location:	
Engineer:	
Submitted to:	
Submitted by:	
Reference:	

Approval:	
Date:	
Construction:	
Unit #:	
Drawing #:	

Outdoor code	
Outdoor unit factory model	
Model	VMH18SU-1B
Indoor	B-VMH18SU-1B
Outdoor	A-VMH18SU-1B



PERFORMANCE DATA

Power supply	Ph-V-Hz	
Cooling		
Capacity	Btu/h	17000
Input	W	1360
Rated current	A	5.95
EER	Btu/w	12.5
SEER	Btu/w	20.5
Heating		
Capacity	Btu/h	18000
Input	W	1360
Rated current	A	7.4
COP	W/W	3.13
HSPF4		10.3
HSPF5		8.8
Heating at 17°	Btu/w	
Heating at 5 F (-15°C)	Btu/w	18520
MINIMUM CIRCUIT AMPACITY	A	18
MAX.FUSE	A	25

Compressor Electrical

Model		ATF235D22UMT
Type		ROTARY
Brand		GMCC
Capacity	Btu/h	24345
Input	W	1970
Rated current(RLA)	A	6.95
Coil Treatment		Gold Fin
Thermal protector position		
Refrigerant oil/oil charge	ml	POE(VG74)/670
Connection wiring		14/4 STRANDED

Outdoor fan motor

Model		ZKFN-40-8-2
Brand		Welling
Input	W	115/81/44
RLA	A	0.42
LRA	A	
Winding Resistance	Ω	
Capacitor	uF	
Speed	r/min	850/750/700

Ambient temperature

Outdoor(cooling)	Deg. F	
------------------	--------	--

Air flow & Noise level

Outdoor air flow	CFM	1355
Outdoor noise level	dB(A)	57.5

Outdoor unit

Dimension(W*D*H)	inch	33.27x14.29x27.64
Packing (W*D*H)	inch	37.99x15.55x29.72
Net/Gross weight	lbs.	107.4/115.1

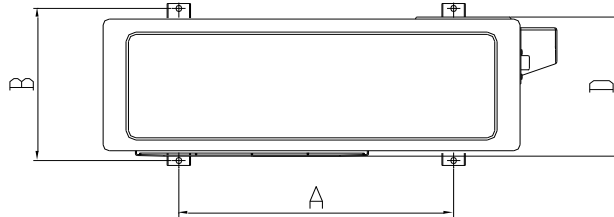
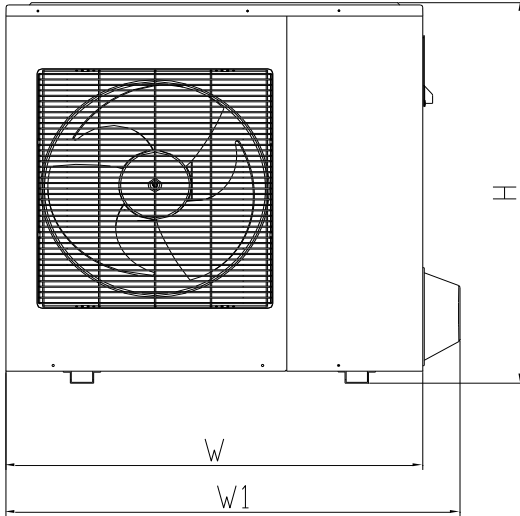
SYSTEM DATA

Design pressure	PSIG	550/340
Refrigerant type	oz	R410A
Refrigerant precharge	ft	68.8
Additional charge per ft.	oz	0.161
Liquid side/ Gas side	mm(in)	Φ6.35/Φ12.7(1/4"/1/2")
Max. length	ft	98
Max. height difference	ft	66

Thermostat type		Remote control
------------------------	--	----------------

Submittal Data

A-VMH18SU-1B Outdoor Unit



Accessories

- 93640 Mini-Split Bracket 260lb. Limit
- 93641 Mini-Split Bracket 330lb. Limit
- 93642 Mini-Split Bracket 400lb. Limit
- 93540 Mini-Split Pad 18" x 38" x 3"

Model	W (inch)	D (inch)	H (inch)
A-VMH18SU-1B	33.3	14.29	27.64
		A (inch)	B (inch)
		22	13.2

Performance Data

Model	Cooling		Outdoor conditions (DB)											
	Indoor		-4F (-20C)	0F (-17C)	5F (-15C)	17F (-8C)	47F (8C)	77F (25C)	86F (30C)	95F (35C)	104F (40C)	113F (45C)	122F (50C)	
	DB	WB	TC	SC	Input	TC	SC	Input	TC	SC	Input	TC	SC	Input
18 (208-230V)	69.8F (21C)	59F (15C)	TC	16.76	16.44	16.39	17.02	14.38	16.08	17.64	17.46	15.75	13.02	9.65
			SC	12.93	12.77	12.75	12.96	11.71	14.15	15.52	15.36	13.86	11.46	8.49
			Input	0.98	0.97	0.97	0.95	0.61	1.49	1.79	1.90	1.86	1.60	1.30
	75.2F (24C)	62.6F (17C)	TC	17.58	17.47	17.33	17.70	15.14	17.33	18.89	18.71	17.00	14.27	10.90
			SC	13.72	13.65	13.57	13.69	12.53	15.25	16.62	16.46	14.96	12.56	9.59
			Input	0.99	0.97	0.98	0.96	0.62	1.48	1.78	1.89	1.85	1.59	1.29
	80.6F (27C)	66.2F (19C)	TC	18.64	18.63	18.40	18.56	18.52	18.58	19.52	19.96	18.25	15.52	12.15
			SC	14.46	14.41	14.37	14.26	14.65	16.54	17.92	17.76	16.24	13.81	10.81
			Input	0.95	0.98	1.00	0.79	1.03	1.51	1.81	1.92	1.88	1.62	1.32
	89.6F (32C)	73.4F (23C)	TC	24.60	25.29	24.77	24.74	16.37	18.79	20.35	20.17	18.46	15.73	12.36
			SC	16.58	16.68	16.45	16.41	13.36	16.72	18.11	17.95	16.43	14.00	11.00
			Input	0.65	0.68	0.71	0.83	0.60	1.55	1.85	1.96	1.92	1.66	1.36
Model	Heating		Outdoor conditions (DB)											
	Indoor Conditions DB		-13F (-25C)	-4F (-20C)	0F (-17C)	5F (-15C)	17F (-8C)	19.4F (-7C)	24.8F (-4C)	32F (0C)	39.2F (4C)	44.6F (7C)	53.6F (12C)	
	DB	WB	TC	Input	COP	TC	Input	COP	TC	Input	COP	TC	Input	COP
18 (208-230V)	59F (15C)		TC	16.82	17.26	18.02	18.82	23.32	23.55	23.71	23.91	24.14	24.32	26.88
			Input	3.11	3.12	3.16	3.18	2.87	2.50	2.44	2.37	2.31	2.21	2.27
			COP	1.59	1.62	1.67	1.73	2.38	2.76	2.85	2.96	3.06	3.23	3.47
	64.4F (18C)		TC	16.67	17.11	17.98	18.67	23.17	23.40	23.56	23.76	23.99	24.17	26.73
			Input	3.18	3.22	3.22	3.25	2.94	2.57	2.51	2.44	2.38	2.28	2.34
			COP	1.54	1.56	1.64	1.68	2.31	2.67	2.75	2.85	2.95	3.11	3.35
	69F (20.5C)		TC	16.52	17.01	18.01	18.52	23.02	23.25	23.41	23.61	23.84	24.02	26.58
			Input	3.25	3.26	3.28	3.32	3.01	2.64	2.58	2.51	2.45	2.35	2.41
			COP	1.49	1.53	1.61	1.63	2.24	2.58	2.66	2.76	2.85	3.00	3.23
	71.6F (22C)		TC	16.25	16.87	17.98	18.25	22.75	22.98	23.14	23.34	23.57	23.75	26.31
			Input	3.28	3.28	3.27	3.35	3.04	2.67	2.61	2.54	2.48	2.38	2.44
			COP	1.45	1.51	1.61	1.60	2.19	2.52	2.60	2.69	2.79	2.92	3.16